

Microwave oven

orava

Miwa 1 W/B
Instruction manual

EN



CE

Miwa 1 W/B

The intended use of the device

The device is designed exclusively for heating food and beverages, in microwave, to the extent specified by the technical and operating parameters and functions, safety and user instructions and external influences of the operating environment.

ORAVA electrical appliances are manufactured according to current state of the engineering and recognized safety-technical rules. Nevertheless, incorrect or improper use, or use contrary to designation may result in the risk of injury or endanger the life of the user or third person, damage to the device and other material values.

1. GENERAL SAFETY INSTRUCTIONS AND WARNINGS

- This document contains important safety instructions and warnings for safe, correct and economical operation of the electrical equipment. Its compliance helps the user avoid risks, increase reliability and product life.
- In this document, the general term product is used in text parts such as: electrical equipment - any device used for the production, conversion, transmission, distribution or use of electricity.
- From the point of view of the purpose of using electricity, the concept of electrical equipment in the strict sense of the word will include the following categories:
 - household electric appliances,
 - information and communication equipment,
 - consumer electronics,
 - lighting equipment,
 - electrical and electronic tools,
 - toys and equipment for sporting and recreational purposes,
 - medical devices (aids),
 - monitoring and control devices,
 - vending machines.

1.1 General safety instructions

- Before operating the unit, we recommend that you carefully read the instruction manual and operate the equipment in accordance with the instructions!
- The safety instructions and warnings in this manual do not cover all the possible conditions and situations that may arise when using the device. The user must understand that a factor that cannot be incorporated into any of the products is personal responsibility and caution. These factors must therefore be ensured by users serving this device.
- Failure to follow the safety instructions and warnings is forbidden by the manufacturer for any damage to health or property!
- Keep the instruction manual as close to the device as possible throughout its service life. Always keep the instruction manual together with the appliance for future use and use by new users.
- Use the appliance only for the intended purpose and in the manner specified by the manufacturer.

- The appliance is intended for home and similar indoor use without special focus.
- This appliance is intended, in addition to domestic use, for the following uses:
 - in shops, offices and other similar work environments;
 - in economic buildings;
 - in hotels, motels and other residential environments;
 - in bed and breakfast establishments.
- It is not a professional device for commercial use.
- Do not change the technical parameters and features of the device by unauthorized modification or modification of any part of the device.
- The manufacturer is not responsible for damages caused during transportation, misuse, damage or destruction of the equipment due to adverse weather conditions.

1.2 Safety of the operating environment

- Do not use the device in an industrial environment or outside environment!
- Do not expose the appliance to:
 - sources of excessive heat or open flame,
 - dripping or splashing water,
 - vibration and excessive mechanical stress,
 - insects, animals and plants,
 - aggressive and chemical substances.
- The operating environment of the device must always be in accordance with the basic characteristics set out.
- Features of the operating environment:
 1. Ambient temperature: $+5 \div +40 \text{ }^\circ \text{C}$
 2. Humidity: $5 \div 85\%$
 3. Altitude: $\leq 2\ 000 \text{ m}$
 4. Occurrence of water: intermittent condensation of water or occurrence of water vapor
 5. Occurrence of foreign bodies: quantity and type of dust are insignificant
 6. Protection degree: min. IP20 (device protected from touching dangerous parts by hand and non-waterproof)
- This degree of protection is not indicated on the product and on the technical parameters in the operating instructions.
- If the protection class of the product is different from IPX0, this information is then displayed on the label of the appliance or in the technical data of the operating instructions.
- Other characteristics of the domestic operating environment (mechanical stress - vibrations and vibrations, occurrence of plant, animals, weather effects ...) are negligible in terms of effect on the correct and safe use of electrical equipment.

1.3 Electrical safety

- Before connecting the appliance to the power supply for the first time, make sure that the voltage on the appliance label corresponds to that of the household electrical outlet.
- The electric appliance is designed to power from 1/N/PE ~ 230 V 50 Hz.
- The electrical safety of the appliance is guaranteed only if it is properly connected to the mains.
- Electrical protection class I equipment is equipped with a protection against electric shock by means of protective earthing of inanimate parts, which can become dangerous when the device is malfunctioning. Always connect such devices to properly installed mains sockets that are equipped with earthing conductors and have a properly grounded earthing conductor. All electrical equipment is equipped with a three-wire power supply.
- Class II electrical equipment is protected against electric shock by double insulation or by enhanced insulation of hazardous live electrical parts. Device of protection class II it must not be equipped with means to connect protective earthing. All electrical equipment is equipped with two-wire power supply.
- Class III electrical equipment is a device that is powered by a small safe voltage source (battery or accumulator) and does not present any danger to the user from electrical shock.
- In order to provide increased safety against the risk of electric shock due to the use of electrical appliances by laypersons, it is recommended to install the power supply circuit for sockets with a rated current not exceeding 20 A RCD with a rated operating current not exceeding 30 mA. To ensure the safety and correctness of the electrical installation, consult a qualified electrician.
- Only use a power cord with a plug (mains lead) supplied with the device and compatible with a wall socket. Using another cable may result in fire or electric shock.
- Always connect an electrical appliance to an easily accessible mains socket. In the event of an operating fault, the appliance must be switched off as soon as possible and disconnected from mains supply.
- The power cord and mains plug must always be easily accessible for safe disconnection of the electrical appliance from the power supply.
- Do not pull off the power cord by pulling the cable. Disconnect the power cord by pulling the plug behind the power cord plug.
- If you use an extension cord, make sure that the total rated power of all devices connected to the extension cord does not exceed the max. current load on the extension cable.
- If you need to use an extension cord or power supply block, make sure that the extension cord or power pack is plugged into a power socket, and not to another extension cord or power supply. The extension power cord or power supply block must be designed for grounded electrical plugs and connected to a properly grounded electrical socket.
- The power plug of the appliance must be compatible with the mains socket. Never use any adapters or modify the socket in any other way. Do not use inappropriate or damaged drawers!
- To avoid electrical shock, plug the power cables into properly grounded electrical sockets. If the device is equipped with a 3-pole plug, do not use

adapters that do not have a grounding element or remove the grounding element from the plug or adapter.

- Do not bend, crush or otherwise expose the power cord of the appliance to mechanical stress or external heat sources. Damage to the power cord may result in electric shock.
- When the power cord is damaged, disconnect the appliance from the mains and do not use it again.
- If the power cord is damaged, it must be replaced by the manufacturer, its service department or a similarly qualified person to avoid the risk of electric shock.
- Regularly check and maintain the electrical appliance as well as the power cord and power socket. Disconnect the power plug regularly and clean it if necessary. Pollution by dust or other substances may cause disruption of the insulating state and consequently fire.
- Do not expose the appliance to water or moisture. The ingress of water into the appliance increases the risk of electric shock.
If the power cord is wet or the water has penetrated the water, disconnect it immediately from the mains. If the appliance is plugged into a mains socket and if possible, turn off the power circuit before attempting unplug the power. If you are pulling wet wires from a live power source, be very careful.
- If the electrical equipment is installed (connecting) the protective covers are dismantled, the electrical parts must not be accessible to the user when the installation is finished.

1.4 Safety of persons

- This appliance is intended for use and operation by persons without electrotechnical qualification - lay people, according to the instructions specified by the manufacturer.
- Device operation includes activities such as switching on and off, user manipulation and setting of operating parameters, visual or auditory inspection of the equipment, and user cleaning and maintenance.
- This appliance can be used by children under the age of 8 and persons with reduced physical, sensory or mental capabilities or lack of experience or knowledge when supervised or instructed to use the appliance safely and understand the dangers involved.
- Children may not play with the appliance.
- Cleaning and maintenance for users may not be performed by children unattended.
- Always keep the appliance out of reach of children during use and operation. Be sure to download the appliance even for a freely accessible power cord.
- Always be careful when operating the electric appliance! Do not use an electric appliance if you are overly tired, under the influence of medication or narcotic drugs that reduce attention and focus.
- Inattention during operation may result in serious injury.

1.5 Cleaning, maintenance and repairs

- Observe the normal user cleaning and maintenance of the appliance in the recommended way. Do not use solvents or harsh cleaners for cleaning. Pollution and visible stains from finger contact, respectively. The hands can be cleaned using detergent detergents specially designed to clean household appliances.
- If you do not use the appliance, clean it or disconnect the appliance from the power supply when the appliance is faulty.
- Electrical appliances that are cleaned after use and are not intended to be completely or partly immersed in water or other liquid, protect against the effects of dripping and / or splashing water and before immersion.
- Electric household appliances, like all other technical devices, are subject to the surrounding environment and natural wear. Since the legal framework of regular maintenance is not laid down for lay-in electrical household appliances, the manufacturer recommends that the user have the appliance checked and cleaned at least once a year by a specialist workshop.
- By doing so, it is possible to achieve safety, operational reliability and increased service life.
- Do not disassemble the electric appliance! The appliance works with a dangerous voltage. For this reason, always switch off the appliance and disconnect it from the mains supply during user maintenance. In the event of a fault, please have the repair serviced by an authorized service center.
- Before calling a service:
 1. Verify that you are unable to remedy the malfunction yourself according to the procedure described in the chapter „Remedy of operating faults“.
 2. Turn the appliance off and on to make sure the fault reappears.
 3. If the malfunction of the appliance still persists after these operations, call the nearest specialist service center.
- Never repair the electric appliance yourself!
- Unauthorized, unqualified and improper use of an electric appliance may result in electric shock or other serious injury.
- Only carry out the warranty or post-warranty repair of an electrical appliance to an authorized qualified person (*).

(*) Competent qualified expert: the sales department of the manufacturer or importer or the person qualified and authorized to carry out this type of activity with the ability to avoid all risks.

2. Special Safety Instructions.

Read carefully!

- Electrical equipment is designed and manufactured in such a way as to allow for safe operation and use by persons without a professional qualification. Despite all the measures taken by the manufacturer to ensure safe use, handling and use, it carries with it some residual risks and associated potential hazards.
- To warn of possible hazards, the following symbols and their meanings have been used on the device and in the accompanying documentation:



This symbol alerts users that the device is operating with dangerous electrical voltage. Do not remove protective covers on the device. Failure to observe the safety instructions during use and operation of the device may result in:
Danger of electric shock!



This symbol alerts users to the following: Risk of serious injury or life threatening when not following the safety instructions when using and operating the unit!
Danger of damage to equipment or other damage to property!



This symbol alerts users to the following: Danger from invisible radiation if you fail to follow the safety instructions when using and operating the unit!



This symbol warns users that if the safety instructions for use and operation of the appliance are not followed, there is a risk of: Burns from hot surfaces!

Transportation/Transfer

- When transporting and using, for example, of the transport cart, be careful when moving, to avoid overturning the device.
- Transport / carry the equipment only after thorough inspection of the space and the routes, which must be unobstructed.
- Never carry the machine while it is in operation. Do not carry the device while it is plugged into a wall outlet.

Warning!

- When operating the device, the outside covers and surfaces may be heated. Never transfer the appliance until it has cooled down to ambient temperature.
- Transfer the device firmly by both hands to the bottom edge of the base or fixed parts of the body.
- Make sure that your hands and equipment are not damp or slippery when carrying.

- For the sake of safety (in terms of size and weight), transfer the equipment only to physically fit and competent persons.
There is a risk of serious injury or life threatening!
There is a risk of damage to the device!

Expand/Packaging

- Unpack and remove all parts and accessories of packaging materials, labels, and labels before putting the device into operation. Keep all packaging materials in a safe place or keep them out of the reach of children and inappropriate persons.
There is a risk of serious injury!
There is a risk of choking!

Check/Commissioning

- Clean the machine before commissioning as described in the „Commissioning“ or „Cleaning and maintenance“.
- Never clean the appliance (body with electrical parts and control panel) and the power cord with the plug - under running water, which could cause the liquid to flow into the device.
- Clean these parts with a slightly moistened cloth and wipe dry or let it dry.
- Only clean the appliance if it is switched off and disconnected from the mains.
- We recommend performing both initial and subsequent regular machine inspections.

Caution!

- It is very important that the glass door and its seals are not damaged and that they are well closed. No hinges may be damaged.
- Do not attempt to interfere with the construction or adjustment of the component parts in any way.
- Never use the appliance if it is incomplete, damaged, or if any parts or accessories are damaged during use. Have the appliance repaired by a specialist workshop. There is a risk of serious injury!

Location/Installation

- Only place the appliance on straight, strong and stable pads - kitchen work desks and furniture parts, suitable for the location of kitchen utensils.
- Always make sure that the place you want to place the device has enough space, mechanical strength and appropriate lighting.

Warning!

- The appliance is intended for use as a freestanding appliance.
- Do not place the appliance:
 - in enclosed cabinets or parts of furniture,
 - unstable tables or inappropriate parts of furniture,
 - on an uneven and dirty surface,
 - on the sealing edge of tables or parts of furniture,
 - near containers with water or other liquids.

- Do not expose the device to:
 - direct sunlight, sources and equipment producing heat,
 - vibration and mechanical stress,
 - excessive dust,
 - water and excess moisture,
 - insect,
 - aggressive effects of the external environment.

Caution!

- Always connect the power plug to a properly connected electrical socket with a protective ground.
- Incorrectly connected protective earthing of the electrical socket may cause electric shock.
- In the event of an electric short circuit, the earthing conductor reduces the risk of electric shock.
- Consult your qualified electrician for any questions regarding earthing or electrical installation.
- The manufacturer or seller is not responsible for any damage to the equipment or personal injury resulting from failure to observe the correct electrical connection procedure.
- Do not cover the appliance in part. Do not add anything to the device. Do not insert or allow the foreign objects to enter the holes of the device covers.
- Do not cover the openings of the airflow covers. Air ventilation ensures reliable and safe operation of the device.
- From a fire protection and safety point of view, the device can also be placed on a work table or similar surface if a safe distance from the flammable surfaces is maintained. materials:
 - at least 30 cm above the top of the device and at least 10 cm in the other directions.
- Pay attention to the support feet of the device. Their integrity and position ensure a stable position, safe and correct operation of the device.
- The electrical socket and power cord must remain easily accessible for safe disconnection of the device from the power supply.
There is a risk of electric shock!
There is a danger of fire!

Caution!

- Place the device in a place where children can not reach freely. Work desks and furniture for placing should not be less than 85 cm.
- Prevent children from handling the device. The device may overwrite and cause serious injury. Mechanical damage (breakage or breakage of parts and covers) of the device can cause serious injury.
There is a risk of serious injury!
There is a risk of damage to equipment or other property damage!
- Do not place the appliance and do not use the proximity of containers containing water. If the appliance falls into the water, do not remove it! First, pull the power cord plug out of the mains socket and then select the appliance from the water. In such cases, take the device for inspection to a specialist service to check that it is safe and working properly.
There is a risk of electric shock!
There is a risk of electrical short circuit!

Operation/Supervision

- The microwave oven is designed exclusively for heating food and beverages in containers suitable for use in microwave ovens.
- Drying food or clothing and heating heaters, cloth, sponge, wet wipes, and the like may result in the risk of injury, fire or fire.

Danger!

- Never use the appliance and never use it for drying live animals!

Caution!

- If the door or door seal is damaged, the oven must not be used until it has been rectified by the authorized person.

Caution!

- It is dangerous for anyone other than the authorized person to perform any service or repairs requiring the removal of the cover to prevent exposure to microwave energy.

Caution!

- Liquids and / or other foods may not be heated in sealed containers because they could explode.

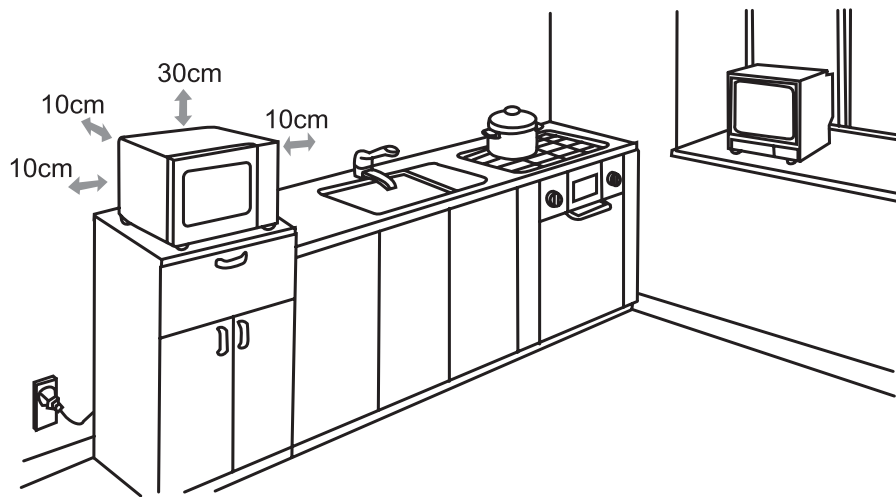
Warning!

- Do not switch the appliance intentionally, if it is empty - without food.
- Use only kitchen dishes that are suitable for use in microwave ovens. Cookware suitable for use in microwave ovens is specified in „Suitable dishes“.
- Do not use metalware and non-metallic containers with ornaments containing metallic materials (gold, silver, etc.). Metal objects and materials can cause an electric circuit and damage the device.
- When heating food in plastic or paper containers, it is necessary to keep track of the oven in view of the possibility of ignition.
- Remove the plastic packaging from the food before defrosting and heating the frozen food. In some cases, however, it is necessary to leave the food in the packaging in order to avoid undesired deterioration. The requirement to keep the frozen food container when heated is always stated by the manufacturer.
- In case of smoke formation, the appliance must be switched off or disconnected immediately from the electrical outlet and the door must be closed in order to prevent the spread of any fire.
- Microwave heating of beverages may result in delayed boiling, so be careful when handling the container.
- The contents of children's bottles and baby food cups must be mixed or shaken and their temperature must be checked prior to consumption to prevent burns.
- Eggs must not be cooked in shell or cooked whole eggs in microwave ovens because they could explode, even after microwave heating.
- Do not heat beverages that are high in alcohol or even large amounts of oil because they can ignite.
- Only use the temperature sensing probes recommended for this oven (this applies only to appliances that are equipped to use the temperature sensing probe).
- Always keep your device under control during use and operation!
- This device is not intended to be operated via a programmer, external time switch or remote control because there is a risk of fire if the device is covered or incorrectly positioned.

- Do not leave the appliance unattended during operation, especially if there are children, inappropriate persons or animals nearby.
- Do not use the appliance near easily flammable materials and objects, curtains, curtains, decorative fabrics,
There is a danger of fire!
- Make sure that the controller is set to „OFF“ position before each connection to the power supply.
- Do not switch the device on or off by plugging in or pulling out the plug of the power cord from the wall socket.
- Always connect the appliance to mains power supply for normal use, then switch on the main switch - the controller.
- Turn off the main switch when you have finished using it
- the controller and then pull the plug of the power cord out of the mains socket.
- Do not use the device if the main power switch does not work.
- Put the appliance into operation and use the method described in „Using the microwave oven“.
- The device is under dangerous voltage when the power supply is connected.
There is a risk of electric shock!
- The device contains parts and surfaces that are heated during operation - device covers, surface areas of the work area and cookware. Do not touch heated covers, surfaces or parts!
- Use kitchen towels or gloves when handling the appliance and cooking dishes. They can greatly heat up when heat is transferred from heated foods.
- Open the glass door of the machine at the time of operation slowly and carefully. When the door is suddenly opened, there is a risk of a hot spill from the working area of the appliance. There is a risk of burning from the hot surface!
There is a risk of warming air!
- Never leave the appliance unattended and freely accessible with a free-hanging power cord. Children, inappropriate persons or animals could overturn the device for the power cord.
- Do not store the appliance with a wrapped cord around its body. Unfold the network cord „in the way it was put in the original packaging by the manufacturer.
There is a risk of serious injury!
- Never overload the equipment beyond the limits specified by the technical specifications!
- Observe the operating mode of the machine in accordance with the operating and instruction manual.
- If you notice any unusual occurrences (sounds, odors, smoke, etc.) while using the device, switch off the device immediately and disconnect it from the power supply. Have the appliance checked by a specialist workshop.
- If any safety component / part (mechanical, electrical) is part of the device, never disable this part / component! If the safety component / part is damaged or not working, do not use the appliance!
- Never underestimate the potential hazards and take extreme caution !!!

Location

- Leave a minimum of 10 cm of free space around the device to ensure proper ventilation. The minimum free space above the device must be at least 30 cm.
The ventilation openings must have full free space.
- Do not place any objects on the machine.
- Place the device near an easily accessible electrical out. Do not use extension cords or splitters. If you notice problems, disconnect the machine from the power supply immediately.



Appropriate dishes

Before using your device, check the table to see if your dishes are suitable for use for your device.

Container	Microwave mode
Pyrex	Yes
Ceramics for cooking	Yes
Conventional glass (no pyrex)	No
Plastic containers for microwaves	Yes
Other plastic containers	No
Paper napkins / paper	Yes

In the microwave oven never use:

- Merged containers. They may fall apart.
- Aluminum containers. They can cause sparking.
- Containers containing metal (eg in the handles). They can cause sparking.
- Paper containers. They can cause a fire.
- Basic plastic containers. They can become deformed and can also contaminate the food.
- Wooden containers. The wood can dry and burst.

Part description

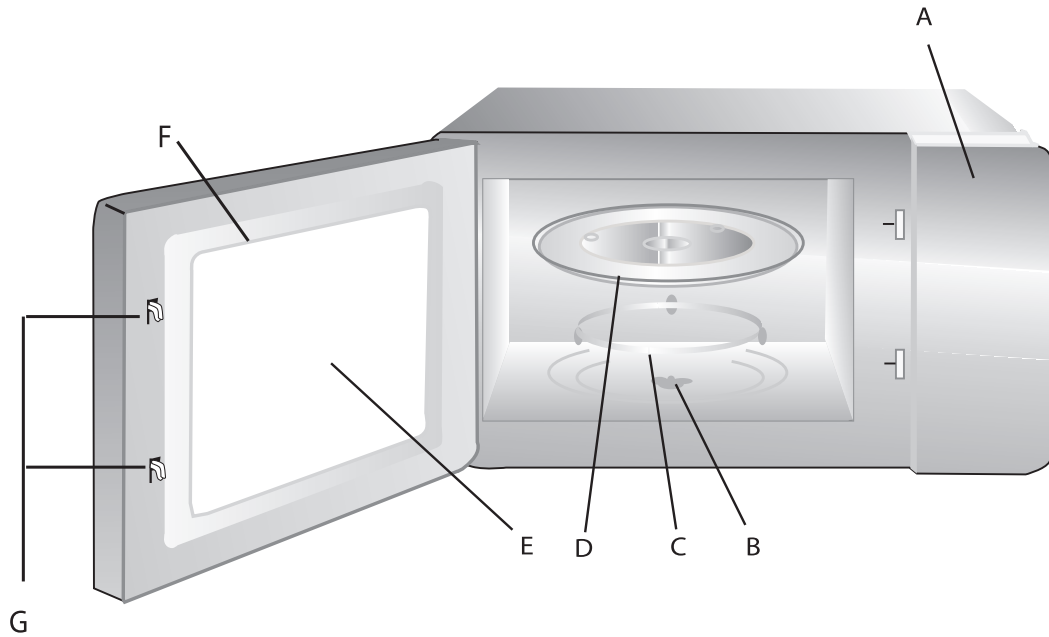
Carefully remove the oven from the packaging material.

Remove any residual packaging material on the device. Make sure you have received the following accessories:

Rotating Glass Plate 1

Rotating Ring 1

Instruction Manual 1



A Control Panel (See text below)

B Rotary shaft

C Rotary ring Support for rotary plate.

D Turntable plate Turning to increase the efficiency of the cooking process.

E Window You can watch the cooking process through this part.

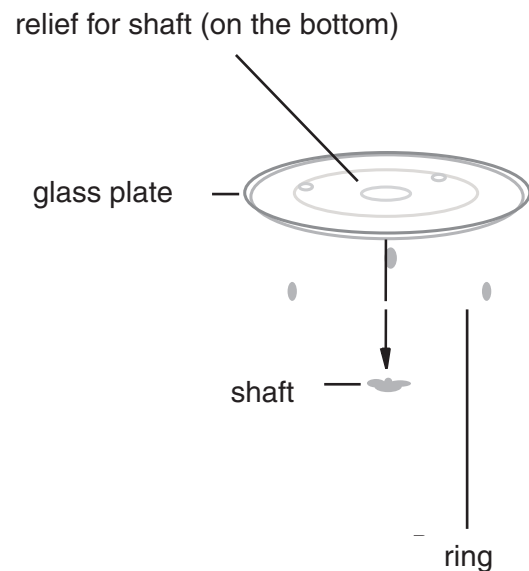
F Door with sealing

G Closing door safety mechanism

The oven can only be used when the door is closed.
If the door opens during operation, the oven switches off.

Mounting the turnable plate and ring

Place the rotating ring on the bottom of the oven. Place the rotating glass plate on the ring so that the relief for the rotary shaft on the underside of the plate fit exactly on the rotary shaft.



Warnings

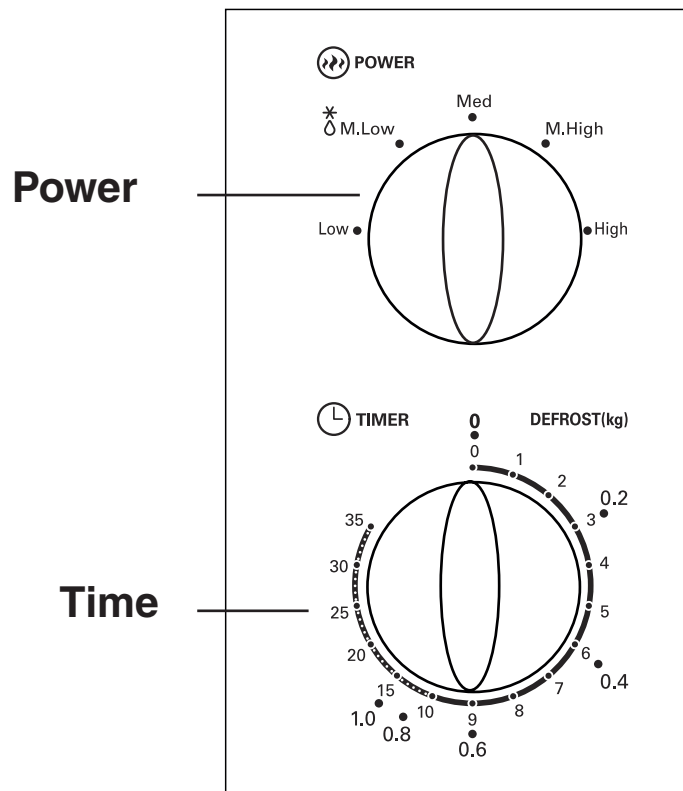
Never place the plate in reverse. The groove for the ring must not be blocked. During the operation of the oven, you must always use the turntable and the ring. You must not use the oven without them.

When cooked, the food container must always be placed on a rotating table. The turntable can rotate in both directions. It is normal.

In case of damage to the rotary plate or ring, you must stop using the oven immediately. Then contact your dealer or an authorized service center immediately.

Control panel

The control panel contains the controls needed to control the microwave oven. With the power control, you set the desired microwave cooking power. Use the timer control to set the desired cooking time. If defrosting, you can set the weight of the food according to the defrost scale



Using a microwave oven

Microwave cooking

You can choose the type of cooking and set the cooking time.

For microwave cooking, you can set different power levels (including defrosting (Snowflake symbol)) and a maximum cooking time of 35 minutes. When defrosting, adjust the power to indicate the weight of the food.

1. Open the door, insert cooked food and close the door.
2. Turn the power knob to set the desired microwave cooking power (see table).

Driver Position	Power	Suitable for:
Low (Low power)	17% microwave	Keeping the temperature of the food, refining the ice cream.
M.Low (Lower Strength power + Defrosting)	33% microwave	Maintaining temperature of food, mild heating, defrosting
Med (Medium power)	55% microwave	Steaming of food, preparation of fish.
M.High (Higher power)	77% microwave	Preparation of rice, meat, fish and desserts.
High (High power)	100% microwave	Heating, cooking vegetables and poultry, cooking water.

3. Turn the timer knob to set the cooking or defrosting time. To set a shorter time than 1 minute, turn the timer knob first to more than 1 minute and then turn the knob back to the desired time.
4. If the door is closed, the cooking starts and the timer is progressively zero. If you open the door during cooking, the cooking will stop. After the door is closed, cooking will continue. However, always turn off cooking by setting the timer control to zero.
5. After the cooking is finished, the clinking sounds and the oven turns off.

Troubleshooting

Common problems

The microwave interferes the TVP's signal.

Radio and TV signals may be disturbed during oven operation when the oven is near the equipment. This is not a malfunction. Move the oven away from the appliance.

Weak indoor lighting.

Low power can weaken the light. This is not a malfunction.

There is steam in the door and hot air from the fan.

When cooked, moisture can evaporate from the food. Most vapors are ventilated through the ventilation holes, but sometimes they can also be reflected on the doors. This is not a malfunction.

You accidentally switched the oven without the food.

In case of short-term operation of the oven without an inserted food, there is no risk of damage. Never, however, do this intentionally.

Problem	Cause	Solution
The oven did not turn.	The power cord is not properly connected.	Disconnect and retighten the power cord after approx. 10 seconds.
	The fuse is out.	Replace the fuse. (Only authorized person.)
	Problem with electrical socket.	Try plugging in another device.
The oven does not burn.	Doors are not properly closed.	Close the door properly.
During operation, the rotatable plate causes noise.	Incorrectly mounted plate on the spindle	Properly position the rotary spindle.

If the oven does not work, the light does not turn on or goes out during operation:

- a. Make sure the oven is properly connected. If it is not, disconnect it from the mains, wait for about 10 seconds, and plug it in again.
- b. Check the fuse box. If everything is ok, test the socket with some other device.

If the microwave does not work:

Make sure the door is properly closed, otherwise the microwave does not work

Radio interference

Microwave ovens may in some cases cause interference to your radio, TV, or other equipment operating on the radio signal principle.

If the interference occurs, you can suppress or eliminate it by following these steps:

- a. Clean the door and sealing of the oven.
- b. Place radio, TV, and so on. as far as possible from the microwave oven.
- c. Set the radio antenna or the TV to get the best reception.
- d. Connect the microwave oven to another electrical socket or other electrical circuit than the affected device.

Cleaning and maintenance of the device

Instructions for cleaning the door seals, the enclosed interior (hollow) spaces and adjacent parts of the device

- It is important to ensure that the equipment is maintained in proper purity to ensure safe operation and to achieve the optimal service life of the equipment.
- When the appliance is used, it is always necessary to clean all parts of food, grease and burns.
- Failure to carry out regular and proper maintenance of the appliance results in a decrease in its safety and its practical life.

Warning!

- Never spill water or other fluids into the appliance and its surfaces.
- Observe the following procedures and instructions when cleaning the machine:
 1. Cleaning of doors, door seals and internal (hollow) spaces and adjacent parts.

Caution!

- It is very important that the door is well closed and that the door and door seal are not dirty and in any way damaged.
- Doors and locks and sealing surfaces of the doors and adjacent parts must not be damaged or dirty.
- It is specifically forbidden to change, adjust or repair a door, control panel, locks or other parts of the device. If they are damaged, they must be repaired only by a qualified service technician.
- When cleaning the interior, be careful not to damage or remove, for example, (if the cover is part of the device).
Do not remove the waveguide cover.
- Use only a soft sponge or cloth and liquid detergents for cleaning and washing the dishwasher to clean the doors, door seals and adjacent parts as well as the inside of the appliance.
- Do not use abrasive (scrubbing) steel wires, cleaning powders, and the like. Do not use any scrapers and sharp tools.
- Do not use steam and / or high pressure cleaners as they may damage the safety parts of the appliance.
- Apply a small amount of liquid detergent concentrate to the sponge or cloth. Clean the parts with adequate pressure but thoroughly wipe them and remove all food and grease residues.
- Apply (wash) the cleaned surfaces of the doors, door seals and interior spaces and parts with a soft cloth and warm water.
- Repeat this procedure 2-3 times to remove any detergent residue.
- Clean and wash thoroughly cleaned and washed surfaces of doors, door seals and interior spaces with a soft cloth or paper towel.

2. Cleaning the device's outer covers

- When cleaning the outside covers of the appliance, make sure that cleaning agents or water do not enter the ventilation openings.
- Otherwise, do not use the appliance and have it checked by an authorized service center for its safety and proper operation.
- Use only a soft sponge or cloth to clean the outside covers of the appliance and liquid detergents designed for cleaning and washing the dishwasher.
- Do not use abrasive (scrubbing) steel wires, cleaning powders, and the like. Do not use any scrapers and sharp tools.
- Apply a small amount of liquid detergent concentrate to the sponge or cloth. Clean dirty surfaces with adequate pressure, but thoroughly wipe them and dispose of all food and grease residues.
- Then clean the cleaned surfaces with a soft cloth and warm water.
- Repeat this procedure as necessary to remove any detergent residue.
- Always dry thoroughly with a soft cloth or paper towel, or allow it to dry.

3. Cleaning the rotary plate and the supporting swivel ring

- Perform routine cleaning of the rotary table and the supporting swing ring regularly and in connection with the intensity of the appliance usage and possible contamination.
- The guiding wheels of the swivel ring (and the area on which the wheels move) must be kept clean and dry to prevent them from slipping or to prevent their free movement. A dirty swivel ring may cause excessive rotating drum noise during the operation of the device.
- Cleaning the rotary plate and the rotary ring can be done in a way that these parts are completely immersed in warm water with a small amount of detergent.
- Clean parts with clean, warm water.
- Always apply the cleaned and washed parts dry by using a cloth or paper towel or leave to dry.
- Be careful when cleaning the turntable. The plate is glass and it can be slipped, dropped and damaged when handled by wet hands.

Technical specifications

Power supply:	230 V, 50 Hz
Power consumption:	1 050 W
Nominal Output Power:	700 W
Nominal Microwave Frequency	2 450 MHz
Internal Volume:	20 l
Plate diameter:	255 mm
Dimensions:	439,5 x 358 x 258,2 mm
Weight (approx.):	9,8 kg
Standard insulation resistance:	100 M
Standard dielectric strength:	2500 V/0,5 mA/1 m
Protection Class:	I
Noise:	42 dB (A)

The declared noise emission of this appliance is 42 dB (A), which is the sound power level A with respect to the reference acoustic power of 1 pW.

The right to change is reserved!

Producer:

ORAVA retail 1, a.s.
Seberíniho 2
821 03 Bratislava
Slovenská republika

Importer:

ORAVA retail 1, a.s. Seberíniho 2 821 03 Bratislava Slovenská republika	ORAVA distribution CZ, s.r.o. Ostravská 494 739 25 Sviadnov Česká republika
--	--

INSTRUCTIONS AND INFORMATION REGARDING THE DISPOSAL OF USED PACKAGING

Dispose of used packaging material at a municipal waste disposal site.

DISPOSAL OF USED ELECTRICAL AND ELECTRONIC EQUIPMENT



This symbol on the products or in the accompanying documents means that used electrical and electronic products should not be mixed with general household waste. For proper disposal, recovery and recycling, please return these products to designated collection points. Alternatively, in some countries of the European Union or other European countries, you may return your products to your local retailer when purchasing an equivalent new product. By ensuring this product is disposed of correctly, you will help prevent potential negative consequences for the environment natural resources and help prevent potential negative effects on environment and human health, which could be the consequences of improper disposal waste. Contact your local authority or nearest office for more details collection point. Improper disposal of this type of waste may result in penalties in accordance with national regulations.

For business entities in the countries of the European Union

If you wish to discard electrical and electronic equipment, please request the necessary information from your seller or supplier.

Disposal in other countries outside the European Union

This symbol is valid in the European Union. If you wish to discard this product, please request obtain the necessary information on the correct method of disposal from the local authorities or from the your supplier.



This product complies with all the essential requirements of the EU directives that apply to it.