

orava

SF-5 mini

Instruction manual

EN



CE

Please read this manual carefully before operating your device and retain it for future reference.

SF-5 mini

Intended use of the device

The device is designed exclusively for forced ventilation of air in the interiors of residential buildings or similar areas intended for housing, to the extent specified by technical and operational parameters and functions, safety and user instructions and external influences of the operating environment.

ORAVA electrical equipment is manufactured according to the knowledge of the current state of technology and recognized safety and technical rules. Nevertheless, incorrect and unprofessional use or use contrary to the intended purpose may create a risk of injury or endanger the life of the user or a third party, resp. damage to equipment and other property. Keep these instructions in a safe place for future reference.

1. General safety instructions and warnings

- Before putting the device into operation, we recommend that you carefully read the instructions and operate the device according to the established instructions.
- The safety instructions and warnings in this manual do not cover all possible conditions and situations that may occur when using the device. The user must understand that personal responsibility and care are factors that cannot be incorporated into any of the products. These factors must therefore be ensured by the users operating the device.
- By failing to observe the safety instructions and warnings, the manufacturer is not liable for any damage to health or property!
- If possible, keep the operating instructions close to the device throughout its service life. Always keep the operating instructions with the device for future reference and use by new users.
- Use the device only for the intended purpose and in the manner specified by the manufacturer.
- This is not a professional device for commercial use.
- Do not change the technical parameters and characteristics of the device.
- The manufacturer is not liable for damage caused during transport, improper use, damage or destruction of the device due to adverse weather conditions.

Operating environment safety

- Do not use the device in an industrial or outdoor environment!

Do not expose the device to:

- sources of excessive heat or open flame,
- vibration and excessive mechanical stress,
- insects, animals and flora,
- aggressive and chemical substances.
- The operating environment of the device must always comply with the specified basic characteristics.

Operating environment characteristics:

1. Ambient temperature: 5 - 40 ° C
2. Humidity: 5 - 85%
3. Altitude: = <2,000 m
4. Occurrence of water: occasional condensation of water or the presence of water vapor
5. Occurrence of foreign bodies: the amount and type of dust are insignificant

Electrical safety

- Protection class II electrical equipment is equipment that is made with double insulation between hazardous parts (parts with dangerous mains voltage) and parts that are accessible during normal use.
- Electrical equipment of protection class III are equipment which is powered by a source of low safe voltage (battery or accumulator) and does not pose any danger to the user in terms of electric shock.

Personal safety

- Operations of the equipment include activities such as turning the equipment on and off, user manipulation and setting of operating parameters, visual or auditory inspection of the equipment, and user cleaning and maintenance.

Unpacking

- Unpack the device and accessories before putting them into operation and dispose of all parts of the packaging materials, etiquettes and tags.
- Store packaging materials in a safe place or keep them out of the reach of children and incompetent persons.

Inspection/Commissioning

- We recommend performing initial and subsequent regular inspections of the device. Use the device only with accessories supplied and approved by the manufacturer.
- Never use the device if it is incomplete, damaged or its parts or accessories have been damaged during use (e.g. due to a fall).
- Clean electrical parts only with a damp cloth and wipe dry or allow to dry.
- Keep the device clean and dry.

Operation/Use

Warning!

- Only use the device if it is complete, undamaged and fully functional. Never use equipment that has a damaged fan blade guard.
- In case of any manipulation with the device (e.g. when cleaning the fan blade blades), when it is necessary to remove and remove the protective cover of the propeller, disconnect the device from the mains.
- Always make sure that the device is unplugged and that it is safe to use.
- Before disassembling and after reassembling the fan blade guard, make sure that the guard is properly secured with a safety clip and a safety screw.
- Always keep the device under constant supervision during use and operation!
- This device is not intended to be operated by means of an external programmer, automatic timer or remote control, as there is a risk of fire if the device is covered or incorrectly positioned.
- Do not leave the device unattended during operation, especially if there are children, incompetent persons or animals near them.
- If the device is not in use or you leave the device unattended, disconnect the power cord from the mains. Do not leave the power cord of the device free and accessible so that children, incompetent persons or animals cannot pull or tip the device over. Danger of serious injuries!

There is a risk of damage to the device or other property damage!

Warning!

- Do not use your device in an environment where there is a risk of fire or explosion, in the presence of flammable substances and their vapors, mists or dusts, or in atmospheric conditions. Conditions where, after ignition of the flue gas, it spreads easily through the air.

- Do not use the device near gas stoves or open flame sources.
Danger of explosion and / or fire!
- Before each connection of the device to the mains, make sure that the main switch is in the „0“ „OFF“ position.
- Do not turn the device on or off by plugging or unplugging the power cord.
- In normal use, always connect the device to the mains first and then switch it on with the main switch.
- After use, turn off the device with the main power switch, and then unplug the power cord.
- Do not use the device if the main power switch does not work on the device.
- The device is under dangerous voltage when the mains supply is connected.
- Do not partially cover the device during operation. Do not insert or allow foreign bodies to enter the openings of the device covers. Do not cover the air vents of the covers. Air ventilation ensures safe and reliable operation of the device.
- Do not place any objects on the device, do not allow foreign bodies to enter the openings.
Do not use the device near freely moving textiles - curtains, draperies, etc. The movement of air caused by the operation of the device can cause the fabric to be drawn into the space of the rotating parts.
- Make sure that no dirt from the environment, e.g. clumps of dust, fibers, etc.
- Take extra care during the use and operation of the device to avoid contact with rotating parts with your fingers, hair, loose decorative chains or loose clothing.
Danger of entrapment!
- The device contains rotating parts with sharp edges. Never reach into the area with these parts or insert any other objects there.
- Always wait until the rotating parts have come to a complete stop before handling the device.
Danger of serious injuries!
- Never overload the device above the limits set by the technical parameters!
- If you notice any abnormalities (smell, sound ...) while using the device, turn off the device immediately and disconnect it from the mains. Have the device checked by a specialist garage.
- Do not expose yourself or others to prolonged exposure to strong airflow from the device. This can have a negative effect on your health and the health of others.
- If any safety part/component (mechanical, electrical/electronic) is part of the device, never deactivate this part/component! Do not use the device if the safety part/component is damaged or non-functional!
- Never underestimate the possible dangers and take extra care!!!

2. Special safety instructions. Read carefully!

The electrical equipment is designed and manufactured in such a way as to allow safe operation and use by persons without professional qualifications. Despite all the measures taken by the manufacturer for safe use, operation and use, there are certain residual risks and the associated hazards.

The following symbols and their meanings have been used on the device and in the accompanying documentation to warn of possible dangers:



The electrical equipment is designed and manufactured in such a way as to allow safe operation and use by persons without professional qualifications. Despite all the measures taken by the manufacturer for safe use, operation and use, there are certain residual risks and the associated hazards.



The following symbols and their meanings have been used on the device and in the accompanying documentation to warn of possible dangers:

Transport/Transfer

- Only transport / transfer the device after a thorough inspection of the area and the route, which must be unobstructed.
- When carrying, make sure that your hands and the device are not wet or slippery.
Danger of serious injury or death!
Danger of damaging the device!

Unpacking/Packaging

- Before commissioning, unpack the device and dispose of all parts and accessories of packaging materials, labels and tags. Keep all packaging materials in a safe place or keep them out of the reach of children and incompetent persons.
Danger of serious injuries! Danger of suffocation!

Inspection/Commissioning

- Never use the device if it is incomplete, damaged or any part of it has been damaged during use. Have the device repaired by a specialist garage.

Warning!

- The device is intended for household use. This is not a professional device.
- Do not use the device in an industrial environment or outdoors.
- Be careful not to let the device come in contact with water - it could be damaged.
- Do not use the device in a humid environment (near a swimming pool, washbasin or shower, etc.).
- For safety reasons, stop using the device if the cover of the device or other parts are damaged.

- The device must not be used if it has been dropped or if it shows visible signs of damage.
- Do not repair or modify the device yourself. Have all repairs carried out by an authorized service center. By interfering with the product, you run the risk of losing the legal right from incorrect performance, or quality guarantees.
Danger of serious injuries!
There is a risk of damage

Location/Installation

- Children under the age of 3 must be denied access unless they are permanently supervised.
- Children from the age of 3 and under the age of 8 must not switch on, regulate, clean and maintain the device by the user.
- This device is intended for use by children over 8 years of age and persons with reduced physical, sensory or mental capabilities, or lack of experience and knowledge, provided they have been given supervision or instruction concerning the safe use of the device and understand the risks involved.
- Children must not play with the device!
- Only place the device on level, firm and stable surfaces - on workbenches and on furniture parts suitable for placing electrical equipment.
- Do not place the device on slippery decorative fabrics such as tablecloths etc.

Warning!

- Place the device in a place where children cannot reach freely. Do not allow children to manipulate (play with) the device. The device can tip over and cause very serious injuries. Mechanical damage (cracking or breaking of parts and covers) of the device can cause serious injuries.
Danger of serious injury or death!
There is a risk of damage to the device or other property damage!
- Keep the device out of the reach of animals. The device may tip over and mechanical damage (cracking or breaking of parts and covers) of the device may cause serious injury.
- The device must be used and stored on a stable surface.
- Always make sure that the place where you want to place the device has sufficient space, stability, mechanical strength.
- Do not place the device on or near an electric or gas cooker and other heat sources.
- Turn off the device when not in use, cleaning, attaching accessories, or when a malfunction occurs.
- Do not touch moving parts of the device. Do not push or push your fingers between the rotating part!
- Never leave the device unattended and freely accessible!

Personal safety

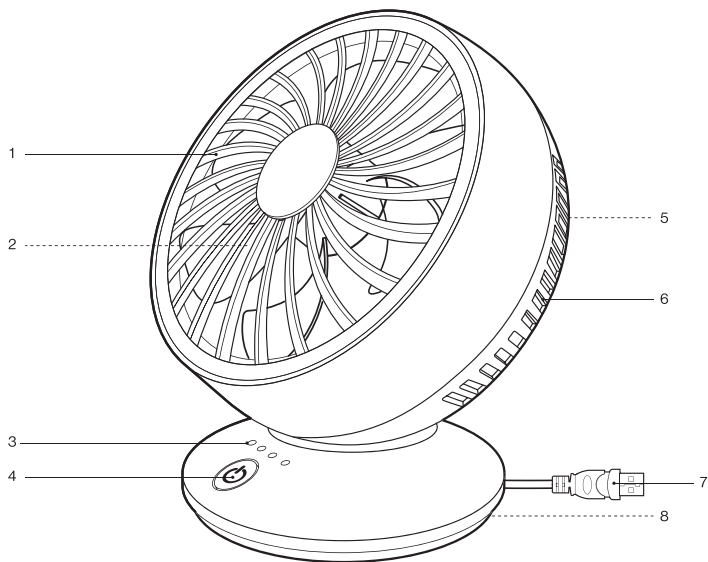
- This device is intended for use by persons without electrical qualification (by laymen), according to the instructions provided by the manufacturer.
- Operations of the equipment include activities such as turning the equipment on and off, user manipulation and setting of operating parameters, visual or auditory inspection of the equipment, and user cleaning and maintenance.
- This device is intended for use by children 8 years of age and older and persons with reduced physical, sensory or mental capabilities, or lack of experience and knowledge, only if they have been given supervision or instruction concerning use of the device safely and understand the dangers involved. .
- Cleaning and user maintenance may only be performed by children 8 years of age and older under the supervision of a responsible person.
- Children must not play with the device!
- Always keep the device out of the reach of children during use and operation. Remember that the device can also be downloaded with a freely accessible mains cord.
- Always take extra care when operating an electrical device. Do not use the electrical device if you are excessively tired, under the influence of drugs or narcotics that reduce attention and concentration. Careless handling can lead to serious injuries. Danger of serious injury or death!
There is a risk of damage to the device or other property damage!


Cleaning/Maintenance

Cleaning the outside of the device

- Switch off the device before cleaning.
- Wipe the device with a cloth that has been slightly dampened. However, under no circumstances may liquid enter the device or accessories. Then wipe everything dry.
- Do not use metal objects, petrol, thinners or abrasive cleaners, etc. for cleaning to avoid damaging the surface.
- To prevent possible damage, do not wash the device under running water, spray water on it, or immerse it in water or any other liquid.
- Do not reuse the device until it is completely dry.
There is a risk of electric shock!
Danger of serious injury or death!

Description of parts



- 1 front protective cover
- 2 fan blade
- 3 fan operation indicators
- 4 button  (on/off)/speed/oscillation switch
- 5 handle
- 6 air intake vents
- 7 USB input
- 8 anti-slip feet

Operation

Before using this device for the first time

- Remove all protective films and stickers from the device.
- 1 Plug the USB connector into the optional AC adapter (5 V DC output voltage, 1,000 mA) or the USB connector on a turned-on PC. Plug the AC adapter into an electrical socket.
 - 2 Switch on the fan with button **4**, the fan starts at the lowest speed - the first red operation indicator lights up.
 - 3 Set the required fan speed by briefly pressing button **4**:
 - medium speed: 2 red operation indicators illuminate,
 - highest speed: 3 red operation indicators light up
 - 4 If oscillation is required, press and hold button **4**, the blue oscillation indicator lights up and the fan starts to oscillate.
 - 5 Switch off the fan with button **4**.

Cleaning and maintenance

For the fan to work properly, it needs to be cleaned regularly.

Switch off the device before cleaning.

Cleaning and storage

- Store the device in a safe, cool and dry place.
- Clean the device with a soft cloth dampened with water.
In case of heavy soiling, you can dampen the cloth in a mild detergent solution.
- Do not use aggressive, harsh cleaning agents or thinners. There is a risk of surface damage.
- Do not chemically clean the device. There is a risk of surface damage.
- The device must not fall to the ground during cleaning.
- Make sure that no water enters the device.
If this happens, remove the batteries and do not use the device until it is completely dry. Test whether the device will work.
- Never immerse the device in water or other liquids when cleaning.

Notifications!

- Never attempt to repair the device yourself!
- The device does not require special maintenance.

Technical parameters

Power supply:	AC adapter with 5 V DC output, 1,000 mA
Power consumption:	4 W
Dimensions (W x H x D):	19 x 22 x 17.5 cm
Diameter of fan blades:	15 cm
Weight:	0.61 kg
Noise:	35 dB (A)

The declared noise emission value of this device is 35 dB (A), which represents the sound power level A with respect to the reference sound power of 1 pW.

We reserve the right to make changes!

Producer:

ORAVA retail 1, a.s.
Seberíniho 2
821 03 Bratislava
Slovenská republika

Importer:

ORAVA retail 1, a.s.
Seberíniho 2
821 03 Bratislava
Slovenská republika

ORAVA distribution CZ, s.r.o.
Ostravská 494
739 25 Sviadnov
Česká republika

DISPOSAL OF USED ELECTRICAL AND ELECTRONIC EQUIPMENT

The symbol on the product or on its packaging indicates that this product does not belong to household waste. It is necessary to take it to a collection point for electrical recycling and electronic equipment.

By ensuring proper disposal of this product, you will help prevent negative consequences

to the environment and human health that would otherwise be caused by inappropriate disposal of this product. For more detailed information about recycling of this product, please contact your local authority, your household waste disposal service or the shop where you purchased the product.



This product meets all the essential requirements of the EU directives that apply to it.