

Electric hair cutter, beard, moustache with
integrated suction system

 **orava**

VS-600

Instruction manual

EN



CE

VS-600

Intended use of the device

The device is intended exclusively for cutting / trimming loose, clean and dry hair, to the extent specified by the technical and operating parameters and functions, safety and user instructions and the external influences of the operating environment.

The device can also be used to trim longer moustache and beard on the face. When using the device for this purpose, be careful when moving the cutter blade or comb attachments near the face skin. The device is powered (depending on the type) by the built-in rechargeable battery and is designed to operate without the AC / DC adapter cable connected or with the AC / DC charging cable connected.

ORAVA electrical devices are manufactured according to the state of the art and recognized safety rules. Nevertheless, improper and unprofessional use or use contrary to the intended use may result in injury or danger to the life of the user or third party, damage to equipment and other material values.

1. GENERAL SAFETY INSTRUCTIONS AND WARNINGS

- This document contains important safety instructions and warnings for safe, correct and economical operation of the electrical equipment. Its compliance helps the user avoid risks, increase reliability and product life.
- In this document, the general term product is used in text parts such as: electrical equipment - any device used for the production, conversion, transmission, distribution or use of electricity.
- From the point of view of the purpose of using electricity, the concept of electrical equipment in the strict sense of the word will include the following categories:
 - household electric devices,
 - information and communication equipment,
 - consumer electronics,
 - lighting equipment,
 - electrical and electronic tools,
 - toys and equipment for sporting and recreational purposes,
 - medical devices (aids),
 - monitoring and control devices,
 - vending machines.

1.1 General safety instructions

- Before operating the unit, we recommend that you carefully read the instruction manual and operate the equipment in accordance with the instructions!
- The safety instructions and warnings in this manual do not cover all the possible conditions and situations that may arise when using the device. The user must understand that a factor that cannot be incorporated into any of the products is personal responsibility and caution. These factors must therefore be ensured by users serving this device.
- Failure to follow the safety instructions and warnings is forbidden by the manufacturer for any damage to health or property!

- Keep the instruction manual as close to the device as possible throughout its service life. Always keep the instruction manual together with the device for future use and use by new users.
- Use the device only for the intended purpose and in the manner specified by the manufacturer.
- The device is intended for home and similar indoor use without special focus.
- This device is intended, in addition to domestic use, for the following uses:
 - in shops, offices and other similar work environments;
 - in economic buildings;
 - in hotels, motels and other residential environments;
 - in bed and breakfast establishments.
- It is not a professional device for commercial use.
- Do not change the technical parameters and features of the device by unauthorized modification or modification of any part of the device.
- The manufacturer is not responsible for damages caused during transportation, misuse, damage or destruction of the equipment due to adverse weather conditions.

1.2 Safety of the operating environment

- Do not use the device in an industrial environment or outside environment!
- Do not expose the device to:
 - sources of excessive heat or open flame,
 - dripping or splashing water,
 - vibration and excessive mechanical stress,
 - insects, animals and plants,
 - aggressive and chemical substances.
- The operating environment of the device must always be in accordance with the basic characteristics set out.
- Features of the operating environment:
 1. Ambient temperature: $+5 \div +40 \text{ }^\circ \text{C}$
 2. Humidity: $5 \div 85\%$
 3. Altitude: $\leq 2\ 000 \text{ m}$
 4. Occurrence of water: intermittent condensation of water or occurrence of water vapor
 5. Occurrence of foreign bodies: quantity and type of dust are insignificant
 6. Protection degree: min. IP20 (device protected from touching dangerous parts by hand and non-waterproof)
- This degree of protection is not indicated on the product and on the technical parameters in the operating instructions.
- If the protection class of the product is different from IPX0, this information is then displayed on the label of the device or in the technical data of the operating instructions.
- Other characteristics of the domestic operating environment (mechanical stress - strain and vibrations, occurrence of plant, animals, weather effects ...) are negligible in terms of effect on the correct and safe use of electrical equipment.

1.3 Electrical safety

- Before connecting the device to the power supply for the first time, make sure that the voltage on the device label corresponds to that of the household electrical socket.
- The electric device is designed to power from 1/N/PE ~ 230 V 50 Hz.
- The electrical safety of the device is guaranteed only if it is properly connected to the mains.
- Electrical protection class I equipment is equipped with a protection against electric shock by means of protective earthing of inanimate parts, which can become dangerous when the device is malfunctioning. Always connect such devices to properly installed mains sockets that are equipped with earthing conductors and have a properly grounded earthing conductor.

All electrical equipment is equipped with a three-wire power supply.

- Class II electrical equipment is protected against electric shock by double insulation or by enhanced insulation of hazardous live electrical parts. Device of protection class II it must not be equipped with means to connect protective earthing.

All electrical equipment is equipped with two-wire power supply.

- Class III electrical equipment is a device that is powered by a small safe voltage source (battery or accumulator) and does not present any danger to the user from electrical shock.
- In order to provide increased safety against the risk of electric shock due to the use of electrical devices by laypersons, it is recommended to install the power supply circuit for sockets with a rated current not exceeding 20 A RCD with a rated operating current not exceeding 30 mA.

To ensure the safety and correctness of the electrical installation, consult with a qualified electrician.

- Only use a power cord with a plug (mains lead) supplied with the device and compatible with a wall socket. Using another cable may result in fire or electric shock.
- Always connect an electrical device to an easily accessible mains socket. In the event of an operating fault, the device must be switched off as soon as possible and disconnected from mains supply.
- The power cord and mains plug must always be easily accessible for safe disconnection of the electrical device from the power supply.
- Do not pull off the power cord by pulling the cable. Disconnect the power cord by pulling the plug behind the power cord plug.
- If you use an extension cord, make sure that the total rated power of all devices connected to the extension cord does not exceed the max. current load on the extension cable.
- If you need to use an extension cord or power supply block, make sure that the extension cord or power pack is plugged into a power socket, and not to another extension cord or power supply. The extension power cord or power supply block must be designed for grounded electrical plugs and connected to a properly grounded electrical socket.
- The power plug of the device must be compatible with the mains socket. Never use any adapters or modify the socket in any other way. Do not use inappropriate or damaged sockets!
- To avoid electrical shock, plug the power cables into properly grounded electrical sockets. If the device is equipped with a 3-pole plug, do not use adapters that do not have a grounding element or remove the grounding element from the plug or adapter.

- Do not bend, crush or otherwise expose the power cord of the device to mechanical stress or external heat sources. Damage to the power cord may result in electric shock.
- When the power cord is damaged, disconnect the device from the mains and do not use it again.
- If the power cord is damaged, it must be replaced by the manufacturer, its service department or a similarly qualified person to avoid the risk of electric shock.
- Regularly check and maintain the electrical device as well as the power cord and power socket. Disconnect the power plug regularly and clean it if necessary. Pollution by dust or other substances may cause disruption of the insulating state and consequently fire.
- Do not expose the device to water or moisture. The ingress of water into the device increases the risk of electric shock.
If the power cord is wet or the water has penetrated the water, disconnect it immediately from the mains. If the device is plugged into a mains socket and if possible, turn off the power circuit before attempting unplug the power. If you are pulling wet wires from a live power source, be very careful.
- If the electrical equipment is installed (connecting) the protective covers are dismantled, the electrical parts must not be accessible to the user when the installation is finished.

1.4 Safety of persons

- This device is intended for use and operation by persons without electrotechnical qualification - lay people, according to the instructions specified by the manufacturer.
- Device operation includes activities such as switching on and off, user manipulation and setting of operating parameters, visual or auditory inspection of the equipment, and user cleaning and maintenance.
- This device can be used by children under the age of 8 and persons with reduced physical, sensory or mental capabilities or lack of experience or knowledge when supervised or instructed to use the device safely and understand the dangers involved.
- Children may not play with the device.
- Cleaning and maintenance for users may not be performed by children unattended.
- Always keep the device out of reach of children during use and operation. Be sure to download the device even for a freely accessible power cord.
- Always be careful when operating the electric device! Do not use an electric device if you are overly tired, under the influence of medication or narcotic drugs that reduce attention and focus.
- Inattention during operation may result in serious injury.

1.5 Cleaning, maintenance and repairs

- Observe the normal user cleaning and maintenance of the device in the recommended way. Do not use solvents or harsh cleaners for cleaning. Pollution and visible stains from finger contact, respectively. The hands can be cleaned using detergent detergents specially designed to clean household devices.
 - If you do not use the device, clean it or disconnect the device from the power supply when the device is faulty.
 - Electrical devices that are cleaned after use and are not intended to be completely or partly immersed in water or other liquid, protect against the effects of dripping and / or splashing water and before immersion.
 - Electric household devices, like all other technical devices, are subject to the surrounding environment and natural wear. Since the legal framework of regular maintenance is not laid down for lay-in electrical household devices, the manufacturer recommends that the user have the device checked and cleaned at least once a year by a specialist workshop.
 - By doing so, it is possible to achieve safety, operational reliability and increased service life.
 - Do not disassemble the electric device! The device works with a dangerous voltage. For this reason, always switch off the device and disconnect it from the mains supply during user maintenance. In the event of a fault, please have the repair serviced by an authorized service center.
 - Before calling a service:
 1. Verify that you are unable to remedy the malfunction yourself according to the procedure described in the chapter „Remedy of operating faults“.
 2. Turn the device off and on to make sure the fault reappears.
 3. If the malfunction of the device still persists after these operations, call the nearest specialist service center.
 - Never repair the electric device yourself!
 - Unauthorized, unqualified and improper use of an electric device may result in electric shock or other serious injury.
 - Only carry out the warranty or post-warranty repair of an electrical device to an authorized qualified person (*).
- (*) Competent qualified expert: the sales department of the manufacturer or importer or the person qualified and authorized to carry out this type of activity with the ability to avoid all risks.

2. Special safety instructions. Read carefully!

- The electrical device is designed and manufactured in such a way as to enable safe operation and use by persons without professional qualifications. Despite all the precautions that have been taken by the manufacturer for safe use, operation and use carry some residual risks and associated hazards.
- The following symbols and their meanings have been used on the device and in the accompanying documentation to warn of potential hazards:



This symbol warns users that the device is working with hazardous electrical voltage. Do not remove the protective covers on the device. Failure to follow the safety instructions for use and operation of the device may result in:
Risk of electric shock! Risk of serious injury or death!



This symbol warns users that there is a risk of: - danger of serious injury or danger to life if the safety instructions for use and operation are not observed!
Risk of device damage or other property damage!



This symbol indicates that the product is made of double insulation between hazardous live parts (power supply dangerous parts) and parts that are accessible in normal use.



This symbol alerts users to:
No use in the bath or shower!

Transportation/Transfer

- For transport and use eg. Take care when moving the trolley to avoid tipping and damaging the device. Do not carry the device until the power supply has been disconnected.
Do not carry the device by the power cable/cord.
There is a risk of serious injury or danger to life!
There is a risk of damage to the device!

Unpacking/Packaging

- Unpack the device and accessories before putting them into service and remove any parts of the packaging materials, etiquettes and labels. Store packaging materials in a safe place or keep them out of reach of children and incapacitated persons.
There is a risk of serious injury!
Risk of suffocation!

Inspection/Commissioning

- We recommend that you perform both initial and follow-up periodic inspections of the device. Use the device only with accessories and spare parts supplied and approved by the manufacturer.
- Never use the device if it is incomplete, damaged or damaged during its use (eg falling).
There is a risk of electric shock! There is a risk of serious injury!
- Check and assemble the device before commissioning as described in the „Before Use“ section.
- Never clean the device (body with electrical parts) and the power cord with the plug in a manner that could cause liquid to flow into the device.
Only clean these parts with a damp cloth and wipe dry or allow to dry.
- Clean the device only when it is turned off and unplugged. Keep the device clean and dry.
- If the device has been stored at low temperatures, first acclimate it (about ½ to 1 hour) before use, to remove any moisture in the interior of the covers, solidify the moving parts, and maintain the mechanical strength of the plastic parts.

Operation/Supervision Caution!

- The device is intended only for operation with a built-in battery that must not be replaced by the user and whose type is specified in the operating instructions of the manual instructions.
- The unit can also be used during battery charging. In this case, plug the adapter plug into the connector on the device and plug the (AC) plug into an electrical socket.
- Be careful when using and ensure that the connector connections are properly connected.
- This device may only be used with original and undamaged parts and accessories. In use
Be very careful with the device without the comb attachment attached. The cutting knives are sharp and can cause serious injury.
- The device is designed to cut / trim free, clean and dry people.
- Do not use a device designed to cut / trim people's hair to trim hair or animal hair.
There is a risk of transmitting parasites from animals to people!
- Be very careful about the possible transmission of parasites among people and keep the device clean and hygienic.
Always clean the device thoroughly after each use.
- Always make sure that the person who is using the device to do the hair is always seated on a suitable and rigid chair and the workplace is well lit.
There is a risk of serious injury!

- Always keep the device under supervision during use and operation!
- This is not intended to be operated by a programmer, an external timer or remote control, as there is a risk of fire if covered or incorrectly positioned.
- Do not leave the device unattended while in operation.
- The power socket and power cord must remain easily accessible for safe disconnection from the mains.

Warning!

- The device and power cord must not be left unattended when connected to the power supply.
- Never leave the device unattended and freely accessible and do not store it with a free power cord.
There is a risk of electric shock!
There is a risk of serious injury!
- Assembling and disassembling (assembling) parts and accessories and cleaning the device only when the equipment is disconnected from the mains.
- Do not use or place the device in a place where children can freely reach it. Do not let children play with the device.
- Mechanical damage (breaking or breakage of parts and covers) of the device can cause serious injury. Do not use damaged device and accessories. There is a risk of serious injury!
There is a risk of damage to the device or other material damage!

Warning!

- The device must be kept dry.
- Do not use the device in places where there is running water or splashing water, or near containers containing water. If the device falls into water, take it to a specialist garage for inspection to make sure it is safe and working properly.
There is a risk of electric shock!
There is a risk of electric short circuit!
- Do not insert or allow foreign bodies to enter the housing openings.
- Do not cover the air vents openings. Air ventilation ensures proper operation, reliable and safe operation of the device.
- Never overload the device beyond the limits specified in the technical data!

- Follow the operating and manual instructions for operating the device (operating time / operation and breaks). Clean the device regularly and thoroughly - empty from hair and dirt. Equipment contamination may result in reduced operating parameters and possible consequential damage.
- After multiple cleaning of the device, especially the cutting blades, treat the blades with a few drops of silicone oil (attached to the device). By regular care, you will achieve better service results and reliability over the lifetime.
- If you notice any abnormal symptoms (noises, smells, smoke) while using the device..., immediately turn off the power and unplug the device from the wall socket. Have the device checked by a specialist garage.
- If any safety part / component (mechanical, electrical) is part of the equipment, never remove this part / component from operation! If the safety part / component is damaged or not working, do not use the device!
- Never underestimate possible hazards and be careful!

Safety instructions for power supply

- The device comes with a not fully charged built-in battery.
- To achieve maximum capacity and the longest possible battery life, the battery must be fully discharged and then recharged to the maximum level (charging takes about 8 hours before first use). The battery is equipped with a protection circuit against overcharging.
- For optimum battery operation, use the device for the first three cycles until the battery is fully discharged, and then always recharge it fully.
- With a fully charged battery, the device can operate for about 30 to 40 minutes.
- Charging the built-in battery is only permitted with the original charger (AC / DC charging adapter) supplied by the manufacturer or with the manufacturer's approved charger.
- If the charger or charger cable itself is damaged, replace the charger immediately with a new charger. Contact a workshop for replacement.
- Use and store the battery charger only in dry areas at an ambient temperature of +5 ÷ +40 ° C.
- Do not grab the plug of the charger cable and connect it to a power socket if you have wet hands or a wet plug and charger cable or the device itself. Always wipe your hands, power cord, and equipment with a dry cloth. There is a risk of electric shock!
- Never place any conductive objects (such as a screwdriver, etc.) into the connector on the charger. There is a risk of electric short circuit! There is a danger of explosion!
- Before connecting the battery charger of the device to the mains, make sure that the main power switch of the unit is set to "0" "OFF".
- Do not use the device if the main power switch does not work.

Warning!

- Never open or disassemble the battery pack. Damage can lead to short circuit and harmful substances.
Seek medical advice if affected.
- Do not allow the battery to come into contact with fire and do not expose it to direct sunlight or excessive heat.
There is a danger of accumulators!
There is a risk of fire!
- If the operating time of the device or the battery is damaged significantly, have it replaced by a workshop.
- Never disassemble or replace the battery yourself.
- Dispose of batteries according to local regulations and regulations for disposal of electronic equipment.

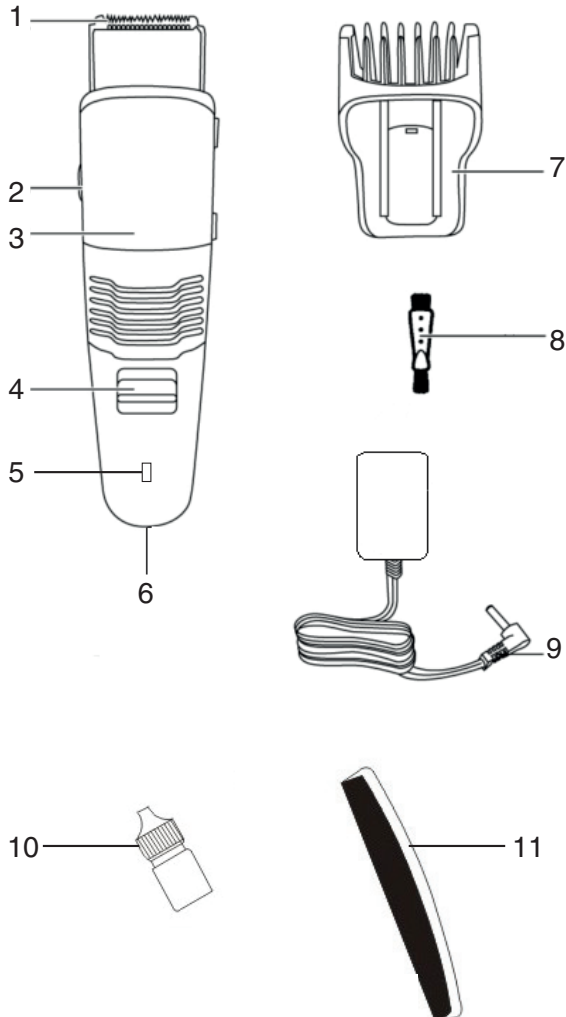
Follow the instructions below to charge the battery:

- Before charging the built-in battery, turn off the main power switch.
- The blue indicator light on the bottom of the device will light up while the AC adapter is connected.
- To charge the built-in battery, only the supplied AC / DC charging adapter is intended. Do not use other types of power adapters.
- Insert the adapter cable (DC) into the connector on the bottom of the device.
- Insert the plug (AC) of the adapter cable into the 230 V AC power socket.
- Charge the device according to the instructions for the time that the built-in battery is charged.
- After charging, disconnect the plug (AC) of the charger cable from the wall socket. Disconnect the adapter (DC) connector from the device connector.
- The device's power supply (built-in battery) is ready and the device can be used.
- The battery gradually discharges during use.
For further use, recharge the battery as instructed.

Operation

Device Description:

1. cutting blades 0.5 to 18 mm
2. opening the hair tray
3. tray door
4. On/Off switch
5. adapter light connected
6. connector for battery charging
7. comb attachment
8. cleaning brush
9. AC adapter
10. container with silicone oil
11. comb



Before use

- Make sure the device is clean and functional.
- **Set the comb attachment to the desired length. Only mount and attach the attachment when the device is switched off! Doing so may cause injury or equipment damage.**
- Place a towel around the neck of the person to be cut to prevent the hair from falling on the garment.
- The person who will cut the hair should sit on the chair so that you have good access to all the hair on your head.
- When cutting, hold the comb and the trimmer freely to ensure smooth and even cutting.
- Cut only natural human hair / hair. Cut hair / hair must be clean and dry.
- Cut only smaller amounts of hair / hair. If you try to cut a large volume of hair at the same time, cutting will not be effective.

Hair cutting

This device has an integrated suction system that captures cut hair, beard hairs, etc., resulting in less mess. The suction system is activated automatically as soon as the device is switched on.

1. Attach the comb attachment to the device. Insert the attachment into the grooves on the device.
2. Depending on the desired hair / hair length, adjust the shear length by sliding the adjust knob.
Available lengths are from 0.5 to 18 mm.
Before shearing, the position of the attachment must be fixed in the set shear length. To cut the hair / hair to the minimum length, fold the comb attachment.
3. Turn on the cutter with the on / off switch and cut hair / hairs. Follow the above cutting procedure.

Note:

Turn off and clean the device after each use.

Cutting Procedure:

Cut the short hair lengths gradually until you cut the final length according to the comb attachment.

- Use the comb attachment.
- Start cutting with the comb attachment.
- Do not force the cutter while cutting.
- Hold the cutter gently with the attachment on the cutting head facing up.

Proceed slowly as shown in fig. 1 from bottom to top.

- Repeat the procedure on the back of the head from the bottom up (fig. 2).
- After shortening the hair, change the comb attachment and repeat from bottom to top when cutting.
- This method ensures a better result than starting to cut immediately with a very short cut length.
- The process of cutting on the side of the head is the same as on the back of the head - from bottom to top (fig. 3).
- At the top of the head, proceed from the front to the rear using a longer cut length and a later shorter cut length at the comb attachment. The ridges of the comb attachment point upwards (fig. 4).

Line alignment

- You do not need a comb to trim the hair lines.
- Remove the comb attachment from the cutter.
- Align the hair at the ear to the desired line (fig. 5).
- Make sure the cutting knife is flush with the hairline.
- To align the hair on the back of the neck, turn the cutter down and align it regularly towards the ear (fig. 6).
- Similarly, cut the hair on the back of your neck. Proceed from top to bottom, with the cutter facing down.

Short cut

- Cutting back on the back of the head, starting from the bottom up. Slowly follow the top of the head (fig. 7).
- At the top of the head, proceed from the front to the rear (fig. 8).
- Use a comb that combs into the hair to cut the hair accurately and cut a portion of the hair on the comb with the cutter (fig. 9).



fig. 2



fig. 3



fig. 4



fig. 5



fig. 6



fig. 7



fig. 8



fig. 9

During cutting or after cutting

We recommend that you empty your hair / hair tray after each cut. If you cut your hair, beard, or moustache with long and dense hairs, you may also need to empty the tray during cutting to maintain optimum suction performance.

Cleaning and oiling

- Your cutter has been carefully tested, oiled cutter and modified and packaged before shipment.
- If the knife is not evenly oiled, apply a few drops of the supplied silicone oil to it. To oil, follow these steps:
 1. Remove the comb attachment from the cutting blades
 2. Using a brush, clean the hair knives.
 3. Drop one or two drops of oil between the knives.
 4. Leave the oil to spread between the blades.

Wipe off any oil residue with a dry cloth.

Use only supplied silicone oil or silicone oil for sewing machines.

Technical specifications

Power supply:	2x NiMH (nickel-metal hydride) battery, 2x 1.2 V, 600 mAh
AC adapter:	input: 230V ~ 50 Hz output: 3.6 V/1000 mA
Weight:	160 g
Dimensions (WxHxD):	18 x 4 x 4 cm
Noise:	75 dB (A)

The declared noise emission value of this device is 75 dB (A), which represents the A-sound power level with respect to the reference sound power of 1 pW.

Supplied accessories: AC adapter, cleaning brush, comb attachment, oil, comb

Subject to change!

Producer:

ORAVA retail 1, a.s.
Seberíného 2
821 03 Bratislava
Slovenská republika

Importer:

ORAVA retail 1, a.s.
Seberíného 2
821 03 Bratislava
Slovenská republika

ORAVA distribution CZ, s.r.o.
Ostravská 494
739 25 Sviadnov
Česká republika

DISPOSAL OF USED ELECTRICAL AND ELECTRONIC EQUIPMENT



The symbol on the product or on its packaging indicates that this product does not belong to household waste. It is necessary to take it to a collection point for electrical recycling and electronic equipment.

By ensuring proper disposal of this product, you will help prevent negative consequences to the environment and human health that would otherwise be caused by inappropriate disposal of this product. For more detailed information about recycling of this product, please contact your local authority, your household waste disposal service or the shop where you purchased the product.



This product meets all the essential requirements of the EU directives that apply to it.