

Handheld vacuum cleaner

orava

VY-222

Instruction manual

EN



CE

VY-222

Intended use of the device

Device, vacuum cleaner for home use, electrically powered, with bar is intended exclusively for dry vacuuming of dust particles and common household dirt (eg, fibers, scruples, hair, etc.) of dry surfaces, to the extent determined by technical and operational parameters and functions, safety and user instructions and external influences of the operating environment. ORAVA electrical appliances are manufactured according to the state of the art and recognized safety rules. Nevertheless, improper and unprofessional use or use that is not intended for use may result in injury or danger to the life of the user or third party. damage to the device and other material values.

1. GENERAL SAFETY INSTRUCTIONS AND WARNINGS

- This document contains important safety instructions and warnings for safe, correct and economical operation of the electrical equipment. Its compliance helps the user avoid risks, increase reliability and product life.
- In this document, the general term product is used in text parts such as: electrical equipment - any device used for the production, conversion, transmission, distribution or use of electricity.
- From the point of view of the purpose of using electricity, the concept of electrical equipment in the strict sense of the word will include the following categories:
 - household electric appliances,
 - information and communication equipment,
 - consumer electronics,
 - lighting equipment,
 - electrical and electronic tools,
 - toys and equipment for sporting and recreational purposes,
 - medical devices (aids),
 - monitoring and control devices,
 - vending machines.

1.1 General safety instructions

- Before operating the unit, we recommend that you carefully read the instruction manual and operate the equipment in accordance with the instructions!
- The safety instructions and warnings in this manual do not cover all the possible conditions and situations that may arise when using the device. The user must understand that a factor that cannot be incorporated into any of the products is personal responsibility and caution. These factors must therefore be ensured by users serving this device.
- Failure to follow the safety instructions and warnings is forbidden by the manufacturer for any damage to health or property!
- Keep the instruction manual as close to the device as possible throughout its service life. Always keep the instruction manual together with the appliance for future use and use by new users.

- Use the appliance only for the intended purpose and in the manner specified by the manufacturer.
- The appliance is intended for home and similar indoor use without special focus.
- This appliance is intended, in addition to domestic use, for the following uses:
 - in shops, offices and other similar work environments;
 - in economic buildings;
 - in hotels, motels and other residential environments;
 - in bed and breakfast establishments.
- It is not a professional device for commercial use.
- Do not change the technical parameters and features of the device by unauthorized modification or modification of any part of the device.
- The manufacturer is not responsible for damages caused during transportation, misuse, damage or destruction of the equipment due to adverse weather conditions.

1.2 Safety of the operating environment

- Do not use the device in an industrial environment or outside environment!
- Do not expose the appliance to:
 - sources of excessive heat or open flame,
 - dripping or splashing water,
 - vibration and excessive mechanical stress,
 - insects, animals and plants,
 - aggressive and chemical substances.
- The operating environment of the device must always be in accordance with the basic characteristics set out.
- Features of the operating environment:
 1. Ambient temperature: $+5 \div +40$ ° C
 2. Humidity: $5 \div 85\%$
 3. Altitude: $\leq 2\ 000$ m
 4. Occurrence of water: intermittent condensation of water or occurrence of water vapor
 5. Occurrence of foreign bodies: quantity and type of dust are insignificant
 6. Protection degree: min. IP20 (device protected from touching dangerous parts by hand and non-waterproof)
- This degree of protection is not indicated on the product and on the technical parameters in the operating instructions.
- If the protection class of the product is different from IPX0, this information is then displayed on the label of the appliance or in the technical data of the operating instructions.
- Other characteristics of the domestic operating environment (mechanical stress - vibrations and vibrations, occurrence of plant, animals, weather effects ...) are negligible in terms of effect on the correct and safe use of electrical equipment.

1.3 Electrical safety

- Before connecting the appliance to the power supply for the first time, make sure that the voltage on the appliance label corresponds to that of the household electrical outlet.
- The electric appliance is designed to power from 1 / N / PE ~ 230 V 50 Hz.
- The electrical safety of the appliance is guaranteed only if it is properly connected to the mains.
- Electrical protection class I equipment is equipped with a protection against electric shock by means of protective earthing of inanimate parts, which can become dangerous when the device is malfunctioning. Always connect such devices to properly installed mains sockets that are equipped with earthing conductors and have a properly grounded earthing conductor. All electrical equipment is equipped with a three-wire power supply.
- Class II electrical equipment is protected against electric shock by double insulation or by enhanced insulation of hazardous live electrical parts. Device of protection class II it must not be equipped with means to connect protective earthing. All electrical equipment is equipped with two-wire power supply.
- Class III electrical equipment is a device that is powered by a small safe voltage source (battery or accumulator) and does not present any danger to the user from electrical shock.
- In order to provide increased safety against the risk of electric shock due to the use of electrical appliances by laypersons, it is recommended to install the power supply circuit for sockets with a rated current not exceeding 20 A RCD with a rated operating current not exceeding 30 mA. To ensure the safety and correctness of the electrical installation, consult a qualified electrician.
- Only use a power cord with a plug (mains lead) supplied with the device and compatible with a wall socket. Using another cable may result in fire or electric shock.
- Always connect an electrical appliance to an easily accessible mains socket. In the event of an operating fault, the appliance must be switched off as soon as possible and disconnected from mains supply.
- The power cord and mains plug must always be easily accessible for safe disconnection of the electrical appliance from the power supply.
- Do not pull off the power cord by pulling the cable. Disconnect the power cord by pulling the plug behind the power cord plug.
- If you use an extension cord, make sure that the total rated power of all devices connected to the extension cord does not exceed the max. current load on the extension cable.
- If you need to use an extension cord or power supply block, make sure that the extension cord or power pack is plugged into a power socket, and not to another extension cord or power supply. The extension power cord or power supply block must be designed for grounded electrical plugs and connected to a properly grounded electrical socket.
- The power plug of the appliance must be compatible with the mains socket. Never use any adapters or modify the socket in any other way. Do not use inappropriate or damaged drawers!
- To avoid electrical shock, plug the power cables into properly grounded electrical sockets. If the device is equipped with a 3-pole plug, do not use adapters that do not have a grounding element or remove the grounding element from the plug or adapter.

- Do not bend, crush or otherwise expose the power cord of the appliance to mechanical stress or external heat sources. Damage to the power cord may result in electric shock.
- When the power cord is damaged, disconnect the appliance from the mains and do not use it again.
- If the power cord is damaged, it must be replaced by the manufacturer, its service department or a similarly qualified person to avoid the risk of electric shock.
- Regularly check and maintain the electrical appliance as well as the power cord and power socket. Disconnect the power plug regularly and clean it if necessary. Pollution by dust or other substances may cause disruption of the insulating state and consequently fire.
- Do not expose the appliance to water or moisture. The ingress of water into the appliance increases the risk of electric shock.
If the power cord is wet or the water has penetrated the water, disconnect it immediately from the mains. If the appliance is plugged into a mains socket and if possible, turn off the power circuit before attempting unplug the power. If you are pulling wet wires from a live power source, be very careful.
- If the electrical equipment is installed (connecting) the protective covers are dismantled, the electrical parts must not be accessible to the user when the installation is finished.

1.4 Safety of persons

- This appliance is intended for use and operation by persons without electrotechnical qualification - lay people, according to the instructions specified by the manufacturer.
- Device operation includes activities such as switching on and off, user manipulation and setting of operating parameters, visual or auditory inspection of the equipment, and user cleaning and maintenance.
- This appliance can be used by children under the age of 8 and persons with reduced physical, sensory or mental capabilities or lack of experience or knowledge when supervised or instructed to use the appliance safely and understand the dangers involved.
- Children may not play with the appliance.
- Cleaning and maintenance for users may not be performed by children unattended.
- Always keep the appliance out of reach of children during use and operation. Be sure to download the appliance even for a freely accessible power cord.
- Always be careful when operating the electric appliance! Do not use an electric appliance if you are overly tired, under the influence of medication or narcotic drugs that reduce attention and focus.
- Inattention during operation may result in serious injury.

1.5 Cleaning, maintenance and repairs

- Observe the normal user cleaning and maintenance of the appliance in the recommended way. Do not use solvents or harsh cleaners for cleaning. Pollution and visible stains from finger contact, respectively. The hands can be cleaned using detergent detergents specially designed to clean household appliances.
- If you do not use the appliance, clean it or disconnect the appliance from the power supply when the appliance is faulty.
- Electrical appliances that are cleaned after use and are not intended to be completely or partly immersed in water or other liquid, protect against the effects of dripping and / or splashing water and before immersion.
- Electric household appliances, like all other technical devices, are subject to the surrounding environment and natural wear. Since the legal framework of regular maintenance is not laid down for lay-in electrical household appliances, the manufacturer recommends that the user have the appliance checked and cleaned at least once a year by a specialist workshop.
- By doing so, it is possible to achieve safety, operational reliability and increased service life.
- Do not disassemble the electric appliance! The appliance works with a dangerous voltage. For this reason, always switch off the appliance and disconnect it from the mains supply during user maintenance. In the event of a fault, please have the repair serviced by an authorized service center.
- Before calling a service:
 1. Verify that you are unable to remedy the malfunction yourself according to the procedure described in the chapter „Remedy of operating faults“.
 2. Turn the appliance off and on to make sure the fault reappears.
 3. If the malfunction of the appliance still persists after these operations, call the nearest specialist service center.
- Never repair the electric appliance yourself!
- Unauthorized, unqualified and improper use of an electric appliance may result in electric shock or other serious injury.
- Only carry out the warranty or post-warranty repair of an electrical appliance to an authorized qualified person (*).

(*) Competent qualified expert: the sales department of the manufacturer or importer or the person qualified and authorized to carry out this type of activity with the ability to avoid all risks.

2. Special Safety Instructions. Read carefully!

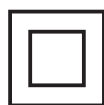
- Electrical equipment is designed and manufactured in such a way as to allow for safe operation and use by persons without a professional qualification. Despite all measures taken by the manufacturer for safe use, handling and use, they carry with them some residual risks and associated potential hazards.
- The following symbols and their meanings have been used on the device and in the accompanying documentation to warn of possible hazards:



This symbol alerts users that the device is operating a dangerous electrical voltage. Do not remove protective covers on the device. Failure to observe the safety instructions during use and operation of the device may result in:
Danger of electric shock!
Danger of serious injury or life threatening!



This symbol alerts users to the following: Risk of serious injury or life threatening when not following the safety instructions when using and operating the unit!
Danger of damage to equipment or other damage to property!



This symbol means that the product is made with a double insulation between hazardous live parts (parts with dangerous voltage from the mains) and parts that are accessible in normal use.

Transportation / Transfer

- When transporting and using, for example, of the transport carriage be careful when moving, to avoid overturning the device.
 - Transport / carry the equipment only after thorough inspection of the space and the routes, which must be unobstructed.
 - Transfer the device only after disconnecting the AC power.
 - The appliance is intended for floor laying when used.
 - Always carry the appliance by grasping the handle. Do not carry the appliance behind the suction hose and do not move or hover by the power cord.
- There is a risk of serious injury or life threatening!
There is a risk of damage to the device!

Unpacking / Packaging

- Unpack the equipment and accessories before putting it into service and remove all parts of packaging material, labels and labels. Store the packaging in a safe place, especially out of the reach of children and unaccompanied persons, or dispose of them safely.
- There is a risk of serious injury!
Risk of suffocation!

Check/Commissioning

- Clean the Hoover before commissioning as described in the “Commissioning” or “Cleaning” section.
- Never clean the device (body with electrical parts) and the power cord with the plug in a way that could cause the liquid to flow into the device.
- Clean these parts with a damp cloth only and wipe dry or let it dry.
- Only clean the appliance if it is switched off and disconnected from the mains.
- We recommend performing both initial and subsequent regular machine inspections.
- Only use the appliance with the required filters and accessories!
- Never use the appliance if it is incomplete, damaged, or if parts or accessories (eg due to fall) have been damaged during use.
There is a risk of electric shock!
There is a risk of serious injury!

Operation/Supervision

Recommendation:

- It is recommended to use personal health care products such as eyeglasses and respiratory gloves when vacuuming fine dust particles.

Warning!

- Do not use the appliance to vacuum materials, substances, dust and other impurities that are hazardous to human health, animal health or the environment! It is, for example, dust particles and asbestos dust, nanomaterials and the like.

Warning!

- Do not use the appliance to drain fluids, such as:
 - liquid substances, foodstuffs, and the like.
- Do not use the appliance to vacuum grease and oil, such as:
 - grease, oil, petroleum products and the like.
- Do not use the appliance to vacuum technical materials such as:
 - sharp glass and metal particles, pieces and dust particles of building materials and the like.
- Do not use the appliance to vacuum the chemical and toxic materials and their particles, such as:
 - lead, mercury, chrome, chlorine and ammonia cleaners, bleaches, and the like.
- Do not use the appliance to vacuum easily flammable, or explosive materials and their particles, such as:
 - solid and / or liquid ignitors, petrol, diluents and the like.
- Do not use the appliance in areas where vapors of flammable or explosive materials and substances may occur.
- Do not use the appliance to vacuum hot objects, materials and their particles, such as:
 - Cigars or cigarettes and cigarette ash, coal and coal ash, matches, etc.
- For orientation - it is generally about objects, materials and substances with a temperature above 40 ° C.

- At temperatures of materials and substances above 40 ° C (100 ° F) there is a risk of fire.
- Cold ash is ash cooled for a long time, which is in a state where it no longer contains particles of carbon in its interior. Such ash does not burn any more recognizable heat anymore.
Do not use the appliance for vacuuming:
 - saddles and the like.
- Do not expose wet / damp surfaces / floors and floor coverings! Moisture penetration into the electrical parts of the device may cause damage to the device or electrical shock.

Warning!

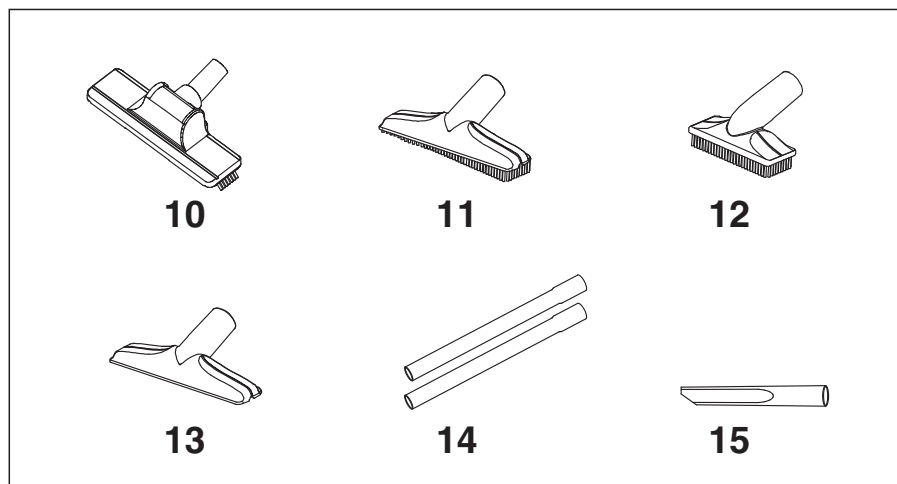
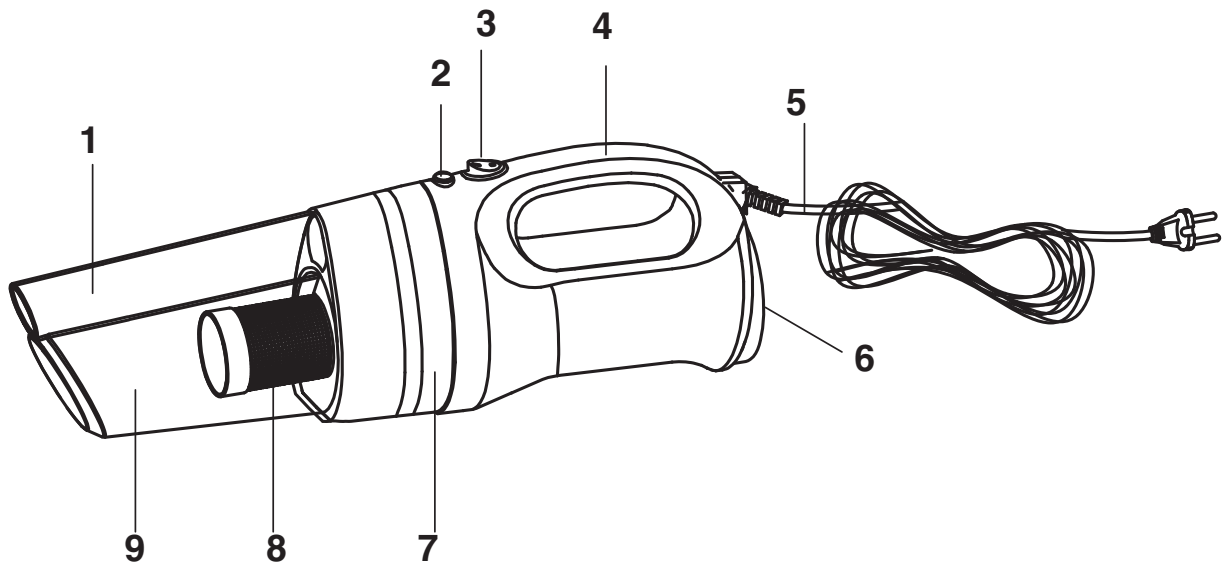
- Do not use the appliance to vacuum fabrics and clothing directly on persons!
- Do not use the device to vacuum animal hair and hair directly on pets!
- Do not expose yourself (parts of the body, faces, hair, loose parts, etc.) to other people or animals by suction (vacuum) from the suction line or accessories attachments when using the device (if the device is in operation).
There is a risk of serious injury!
- Always keep your device under control during use and operation!
- This device is not intended to be operated by a programmer, an external time switch or a remote control, because there is a risk of fire when covered or incorrectly positioned.
- Do not use the device near materials and objects such as, for example, hangings, curtains, decorative fabrics, and the like.
- Do not cover the appliance in part. There is a danger of fire!
- When vacuuming some surfaces and using the device under low humidity conditions, the device may be a source of static electricity.
It is a normal phenomenon that does not damage the device and is not its failure. When creating such a phenomenon, it is recommended:
 - discharging the device by touching a tube of metal objects,
 - increase of air humidity in the room of the device,
 - Use of available anti-static protection products.
- When vacuuming very fine particles, it may occur to clog the pores of the dust filter and to reduce the suction power of the device. In this case, the filter must be cleaned / replaced even if the dirt tank is not filled.
- In the case of a larger subject and shutting down the suction line immediately shut off the device. Do not continue to use the appliance until the object has been removed and the inlet and outlet of the suction line have been removed.
- Only use and place the machine on a flat, strong and stable surface.
- Do not place the appliance:
 - to unstable tables or parts of furniture,
 - on an uneven and dirty surface,
 - on the edges of tables or parts of furniture,
 - in the vicinity of containers with water or other liquids.
- Take special care with your own movement when operating and positioning the appliance when vacuuming the stair / stair floor. Do not place the vacuum cleaner on the stairs and the edges of the stairs into an unstable position and above the persons on the stairs.

- Do not expose the device to:
 - direct sunlight, sources of excessive heat,
 - vibration and mechanical stress,
 - polluting chemicals,
 - water and excess moisture,
 - insect,
 - aggressive environmental influences.

There is a risk of serious injury!
There is a risk of damage to equipment or other property damage!
- Loading and detachment of individual parts and accessories (tubes, hoses), clean and carry the device only when the device is switched off and disconnected from the power supply.
- Do not attach the appliance and the power cord with the fork and do not plug it in with a power socket if you have wet hands or a wet power cord or device. Always dry hands, power cord and equipment dry with a dry cloth. There is a risk of electric shock!
- Make sure that the main switch is set to „OFF“ in the „0“ position before each connection to the mains.
- Do not switch the device on or off by plugging in or pulling out the power cord from the AC socket.
- Always connect the appliance to mains power supply for normal use, then turn on the main power switch. When you have finished using the device, turn off the main switch and then pull the mains cord out of the AC socket.
- Do not use the device if the main switch does not work!
- Do not use or place the appliance in a place where children may freely reach.
- Prevent children from handling the device. The appliance may overwhelm children and cause serious injury to them.
- Mechanical damage (breakage or breakage of parts and covers) of the device can cause serious injury. Do not use the damaged device. There is a risk of serious injury!
There is a risk of damage to equipment or other property damage!
- Do not use or place the appliance near water containers. If the appliance falls into the water, do not remove it! First, pull the power cord plug out of the mains socket and then select the appliance from the water. In such cases take the device for inspection to a specialist service to verify that it is safe and working properly.
There is a risk of electrical short circuit!
There is a risk of electric shock!
- Do not cover the appliance in part. Do not place any objects on the device. Do not load or allow the foreign bodies to enter the holes of the device covers.
- Do not cover the openings of the airflow covers. Air ventilation ensures proper operation, reliable and safe operation of the device.
- The device contains parts of the covers that can be heated during operation and operation. Do not touch the heated covers of the device!
- Transfer the device only with the handle specified.
- Before any further handling of the device
 - postponement, resp. storage, always wait for the device to cool completely.
- The appliance and the power cord must not be left unattended when connected to a power supply!

- Never leave the appliance unattended and freely accessible and do not leave it with a freely accessible power cord. Children, inappropriate persons or animals could download the device for the power cord or catch the unplugged power cord.
- Always store the device with a wrapped - wired power cord so that the cord is not freely accessible to children, unaccompanied persons or animals. There is a risk of electric shock! There is a risk of serious injury!
- The electrical socket and power cord must remain easily accessible for safe disconnection of the device from the electrical network.
- Do not use additional extension cables to power the device.
- Protect the power cord from damage.
- Never overload the equipment beyond the limits specified by the technical specifications!
- Observe the operating mode of the device (operating time / action and breaks) according to the operating instructions and use. Regularly clean the device - empty from dirt. Filling the device may result in reduced operating parameters, possible overheating, and subsequent damage.
- If you notice any unusual occurrences (sounds, odors, smoke...), immediately switch off the device and unplug it from the mains. Have the device checked in a specialist service.
- If any safety component / component (mechanical, electrical) is part of the unit, never disable this part / component! If the safety component / component is damaged or not working, do not use the appliance!
- Never underestimate the potential hazards and take extreme caution !!!

Description of parts



1 suction port for accessories
2 dust container open button
3 O/I switch (off/on)
4 handle
5 power cord
6 blowing holes
7 filter assembly

8 filter (metal)
9 waste bin
10 floor nozzle with brush (large)
11 nozzle with brush (medium)
12 nozzle with brush (small)
13 nozzle for upholstery
14 extension tubes
15 joint spout

Assembly and operation

Before first use

Unpack and remove all packaging material.

Vacuum cleaner assembly

Unplug the power cord before attaching or removing accessories.

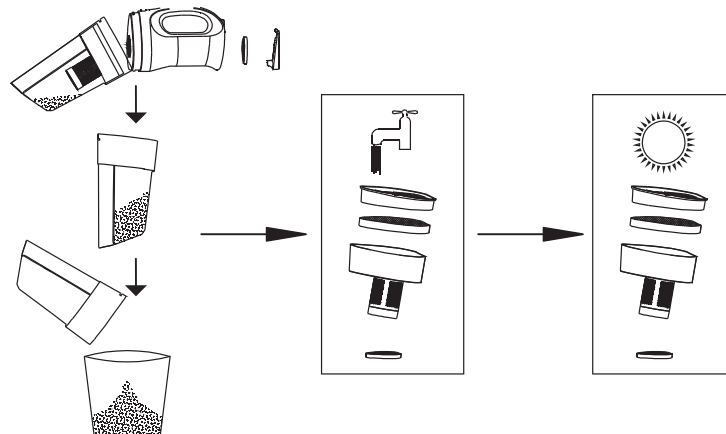
1. Insert filter into tray

Press the garbage can open button and remove the tray.

If the filter is not fitted, place it in the tray and attach the filter tray to the vacuum cleaner.

Cleaning the filter

If you need to empty the dust container and clean the filter, press the dust container open button and remove the tray. Pull out the filter holder and a metal filter. Gently shake the filters to remove dirt. You can rinse them with water. The filter must dry completely before reinsertion. See draining and cleaning section.



2. Attach the floor nozzle with a brush (or other accessory) to the suction port

Place a large floor nozzle in the suction opening, or other nozzles, if necessary.

Other accessories

Joint nozzle

Use the joint nozzle to vacuum radiators, joints, corners, wall corners, and mattress gaps.

Dust brush nozzle (small/medium)

Use the dust brush to vacuum hard flat surfaces.

Upholstery nozzle

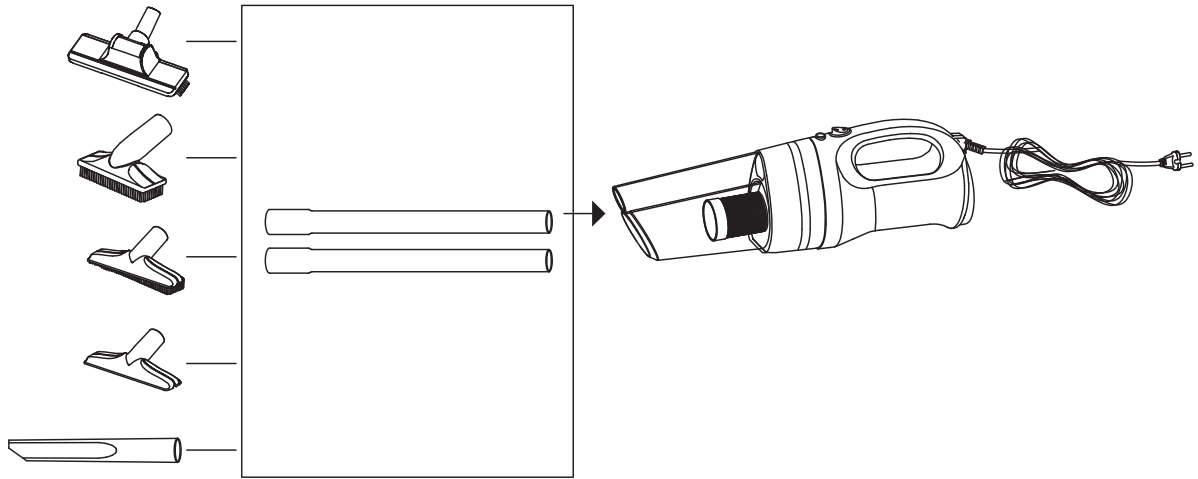
Use the upholstery nozzle for vacuuming mattresses and upholstery.

Extension tubes

Use the tube to vacuum the floor.

3. Insert the extension tube into the tube hole

If you want to use the vacuum cleaner more comfortably, for example when vacuuming the floor, insert the extension tubes so that they are pushed in as far as they will go. Attach the necessary accessory attachment to the tube.



Using a vacuum cleaner

1. Connect the power cord to a power socket that meets the specifications on the vacuum cleaner label.
2. Attach and use the desired accessories.
3. Press the **O/I (Off/On)** switch to **I** to turn on the vacuum cleaner.
4. Hold the vacuum cleaner by the handle and vacuum the dirt.
If you are using an extension tube, hold the vacuum cleaner slightly behind the tube.

After vacuuming

1. Press **O/I (Off/On)** switch to **O** on the machine to turn off the vacuum cleaner.
2. Disconnect the power cord from the wall socket.
3. Fold the power cord.

Empty the container and clean and replace the filter

If the vacuum cleaner has less power, it is necessary to empty the container or clean the filters. If the suction power is greatly reduced, check that the suction nozzle or suction port is not blocked.

Warning!

To prevent electric shock, unplug the power cord from the wall socket before emptying it.

Note:

When vacuuming new carpets or soft fiber carpets, the container can fill up faster, so check it more often. Never vacuum without a container and filters.

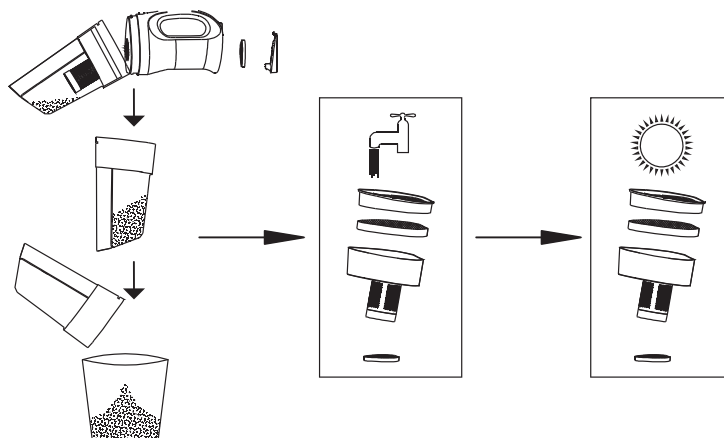
1. Press the container open button and remove the container.
2. Remove the filters from the container.
3. Empty the container.
4. Gently shake the filters to remove dirt.

You can rinse them with water. The filters must dry completely before reinsertion. If necessary, replace the filter with a new one.

5. Put the filters in the correct order into the container.

Warning!

Ensure that the filters are properly inserted, not protruding from the compartment, and that they are not properly seated before installing the tray.



Cleaning the suction opening

If there is an object obstructing the suction opening of the vacuum cleaner, proceed as follows:

1. Select the attached accessory.
2. Remove the suction hole from the suction opening.
3. Put the accessory back into the suction opening of the vacuum cleaner.

Cleaning and maintenance

- Disconnect the power cord from both the vacuum cleaner and the mains. Never wash the vacuum cleaner under running water or submerge it in water.
- Clean the device and accessories with a soft cloth. Do not use solvents or abrasive cleaners for cleaning.
- After cleaning, the machine must remain completely dry.

Motor thermal fuse

The device is equipped with thermal overload protection and overheating. Such a situation may occur in the event of a blockage of the opening or nozzles. If the machine turns itself off in the middle of operation, turn it off and wait at least 45 minutes for the engine to cool. Then remove any cause of blockage or nozzle blockage, empty the container and clean the filters. After the engine cools down, turn the machine on again. If the device still does not work properly, contact your service center.

Technical specifications

Power:	230 V ~ 50 Hz
Protection class:	II (electric shock protection current is provided by double insulation)
Power consumption:	600 W
Suction power:	250 W
Cord length:	4.8 m
Dimensions (W x H x D):	420 x 130 x 105 mm (without accessories)
Weight:	1.1 kg (without accessories)
Noise level:	70 dB (A)

The declared noise emission value of this appliance is 70 dB (A), which represents the A-sound power level with respect to the reference sound power of 1 pW.

Package Contents:	Vacuum Cleaner (1 pc) extension tubes (2 pcs) floor nozzle with large brush (1 piece) nozzle with medium brush (1 piece) nozzle with brush small (1 pc) joint nozzle (1 pc) upholstery nozzle (1 pc) instruction manual (1 pc)
--------------------------	---

Subject to change!

Producer:

ORAVA retail 1, a.s.
Seberíniho 2
821 03 Bratislava
Slovenská republika

Importer:

ORAVA retail 1, a.s.
Seberíniho 2
821 03 Bratislava
Slovenská republika

ORAVA distribution CZ, s.r.o.
Ostravská 494
739 25 Sviadnov
Česká republika



DISPOSAL OF USED ELECTRICAL AND ELECTRONIC EQUIPMENT

The symbol on the product or on its packaging indicates that this product does not belong to household waste. It is necessary to take it to a collection point for electrical recycling and electronic equipment.

By ensuring proper disposal of this product, you will help prevent negative consequences to the environment and human health that would otherwise be caused by inappropriate disposal of this product. For more detailed information about recycling of this product, please contact your local authority, your household waste disposal service or the shop where you purchased the product.



This product meets all the essential requirements of the EU directives that apply to it.