

Electric water kettle

**orava**

**VK-3717**

**Instruction manual**

**EN**



**CE**

**VK-3717**

# The intended use of the device

The appliance is designed exclusively for cooking and heating drinking, clean (non-saturated) water, in the indoor environment, to the extent that is determined by technical and operational parameters and functions, safety and user instructions and external influences of the operating environment.

ORAVA electrical appliances are manufactured according to the state of the art and recognized safety-technical rules. Nevertheless, the use or use contrary to designation may result in the risk of injury or endanger the life of the user or third person, damage to the device and other material values.

## 1. GENERAL SAFETY INSTRUCTIONS AND WARNINGS

- This document contains important safety instructions and warnings for safe, correct and economical operation of the electrical equipment. Its compliance helps the user avoid risks, increase reliability and product life.
- In this document, the generic term product is used in text parts such as:  
electrical equipment - any device used for the production, conversion, transmission, distribution or use of electricity.
- From the point of view of the purpose of using electricity, the concept of electrical equipment in the strict sense of the word will include the following categories:
  - household electric appliances,
  - information and communication equipment,
  - consumer electronics,
  - lighting equipment,
  - electrical and electronic tools,
  - toys and equipment for sporting and recreational

## 1.1 General safety instructions

- Before commissioning the unit, we recommend that you carefully read the operating instructions and operate the equipment in accordance with the instructions!
- The safety instructions and warnings in this manual do not cover all the possible conditions and situations that may arise when using the device. The user must understand that a factor that can not be incorporated into any of the products is responsibility and caution. These factors must therefore be ensured by users / users who use and operate this device.
- Failure to follow the safety instructions and warnings is forbidden by the manufacturer for any damage to health or property!
- Make sure that the appliance is complete and shows no signs of damage before using the appliance for the first time. If the product is defective or if it has any visible damage, do not use the product.
- Keep the operating instructions as close to the device as possible throughout its service life. Always keep the operating instructions together with the appliance for future use and use by new users.
- Use the appliance only for the purpose for which it is intended and in the manner specified by the manufacturer.
- The appliance is intended for home and similar indoor use, with no special focus.
- It is not a professional device for commercial use.
- Do not change the technical parameters and features of the device by unauthorized modification or modification of any part of the device.
- The manufacturer is not responsible for damages caused during transportation, misuse, damage or destruction of the equipment due to adverse weather conditions.

## 1.2 Safety of the operating environment

- Do not use the device in an industrial environment or outside environment.
- Always keep the operating environment clean and well lit.
- Do not place the device on an unstable surface. Overriding or dropping the device may result in personal injury or damage to the device.
- Do not expose the unit to direct sunlight or excessive heat sources.
- Do not use an electric appliance in areas with flammable liquids, gases or dust. The appliance may be the source of scaling, which can result in the ignition of dust or vapors.

## Features of the operating environment

1. Ambient temperature:  $+5 \div +40$  ° C
  2. Humidity:  $5 \div 85\%$
  3. Altitude:  $\leq 2\ 000$  m
  4. Occurrence of water: intermittent condensation of water or occurrence of water vapor
  5. Occurrence of foreign bodies: amount and type of dust are not significant  
Protection class: IP20
- Other characteristics of the operating environment (mechanical stress  
- shocks and vibrations, occurrence of plant, animals, weather effects) are negligible in terms of effect on the correct and safe use of electrical equipment.

### 1.3 Electrical safety

- Before connecting the appliance to the power supply for the first time, make sure that the voltage on the appliance label corresponds to that of the household electrical outlet.
- The electrical appliance is designed for mains supply 230 V ~. The electrical safety of the appliance is guaranteed only if it is properly connected to the electricity grid.
- Only use a power cord with a plug (mains lead) that came with the device and compatible with a wall outlet. Using another cable may result in fire or electric shock.
- Always connect an electrical appliance to an easily accessible power outlet. In the event of an operating fault, the appliance must be switched off as soon as possible and disconnected from mains supply.
- Do not pull the power cord / power cord by pulling on the cord / cord. Disconnect the power cord by pulling the plug behind the power cord / power cord plug.
- If you use an extension cord, check that the total rated (ampere) power of all devices connected to the extension cord does not exceed the maximum current rating of the extension cable.
- If you need to use an extension cord or power supply block, make sure that the extension cord or power pack is plugged into a power outlet, and not to another extension cord or power supply. Extension power cord or power supply block must be designed for grounded plugs and plugged into a grounded outlet.
- The power plug of the appliance must be compatible with the mains socket. Never use any adapters or modify the socket in any other way. Do not use inappropriate or damaged sockets.

- To avoid electrical shock, plug the power cables into properly grounded electrical outlets. If the device is equipped with a 3-pin power supply cord, do not use adapters that do not have a grounding element or remove the grounding element from the plug or adapter.
- Do not bend, crush or otherwise expose the power cord / power cord of the appliance to mechanical stress or external heat sources. Damage to the power cord may result in electric shock.
- If the power cord is damaged, disconnect the appliance from the mains and do not use it again. If the power cord / power cord is damaged, it must be replaced by the manufacturer, its service department, or a qualified person to avoid the risk of electric shock.
- Regularly check and maintain the electrical appliance as well as the power cable. Disconnect the power plug regularly and clean it if necessary. Pollution by dust or other substances may cause disruption of the insulating state and consequently fire.
- Do not expose the appliance to water or moisture. The ingress of water into the appliance increases the risk of electric shock. If the power cord is wet or the appliance gets water, disconnect it immediately from the mains. If the appliance is plugged into a mains socket and if possible, turn off the power supply before attempting to disconnect the power supply. If you are pulling wet wires from a live power source, be very careful.
- If the electrical equipment is installed (connecting) the protective covers are dismantled, the electrical parts must not be accessible to the user when the installation is finished.

## 1.4 Safety of persons

- This appliance is intended for use by persons without an electrotechnical qualification (layperson) according to the instructions specified by the manufacturer.
- Device operation includes activities such as switching on and off, user manipulation and setting of operating parameters, visual or auditory inspection of the equipment, and user cleaning and maintenance.
- This appliance can be used by children 8 years of age and older and persons with reduced physical, sensory or mental abilities or lack of experience and knowledge only when under the supervision or guidance of the responsible person have been instructed to use the appliance in a safe way and understand the potential hazards .
- Cleaning and user maintenance can be carried out by children 8 years of age and older only under the supervision of the responsible person.
- Children may not play with the appliance.
- Always keep the appliance out of reach of children during use and operation. Be sure to download the appliance even for a freely accessible power cord.
- Always be careful when operating the electric appliance. Do not use an electric appliance if you are overly tired, under the influence of medication or narcotic drugs that reduce attention and focus. Inattention during operation may result in serious injury.

## 1.5 Cleaning, maintenance and repairs

- Observe the normal user cleaning and maintenance of the appliance in the recommended way. Do not use solvents or harsh cleaners for cleaning. Pollution and visible stains from finger contact, respectively. The hands can be cleaned using detergent detergents specially designed to clean household appliances.
- If you do not use the appliance, clean it or disconnect the appliance from the power supply when the appliance is faulty.
- Do not disassemble the appliance. The appliance works with a dangerous voltage. For this reason, always switch off the appliance and disconnect it from the power supply. In the event of a fault, please have the repair serviced by an authorized service center.
- Only guarantee qualified and qualified personnel to repair and repair the electrical appliance.

(\*) Appropriate qualified professional: the sales department of the manufacturer or importer or the person qualified and authorized to carry out this type of activity with the ability to avoid all risks.

## 2. Special Safety Instructions.

### Read carefully!

- Electrical equipment is designed and manufactured in such a way as to allow for safe operation and use by persons without a professional qualification. Despite all measures taken by the manufacturer for safe use and handling, they carry with them some residual risks and associated potential hazards.
- The following symbols and their meanings have been used on the device and in the accompanying documentation to warn of possible hazards:



This symbol alerts users that the device is operating a dangerous electrical voltage. Do not remove protective covers on the device. Failure to observe the safety instructions during use and operation of the device may result in:  
Danger of electric shock! Danger of serious injury or life threatening!



This symbol alerts users that the following precautions can be avoided if the following precautions are observed when operating and operating the device:  
Danger of serious injury or life threatening! Danger of damage to equipment or other damage to property!



Tento symbol použitý na výrobku nahradzuje vetu: Neponárat' do vody alebo iných tekutín!

### Transport/Carriage

- When transporting and using, for example, of the transport cart, be careful when moving, to avoid overturning the device and damaging it.
- Transport / carry the equipment only after thorough inspection of the space and the routes, which must be unobstructed.
- Never carry the machine while it is in operation. Do not carry the device while it is plugged into a wall outlet.
- Transfer the device firmly to the handle and the bottom edge of the base or solid parts of the body.
- Make sure that your hands and equipment are not damp or slippery when carrying.  
There is a risk of serious injury or life threatening!  
There is a risk of damage to the device!

### Unpacking/Packaging

- Unpack and remove all parts of packaging waste and labels before putting the device into operation. Keep all packaging materials in a safe place or keep them out of the reach of children and inappropriate persons.  
There is a risk of serious injury! There is a risk of choking!



## **Check/Startup**

- The appliance is designed for food preparation. Therefore, clean all parts before putting it into operation according to the instructions in section „Putting into operation“, respectively. „Cleaning and maintenance“.

### **Warning!**

- Never immerse the kettle, the base (power stand), the power cord or its plug into water or other liquids.
- Never clean the device (kettle with base) and the power cord with the plug in a way that could cause the liquid to flow into the device. Clean these parts with a slightly moistened cloth and wipe dry or let it dry. Clean the device only when switched off is disconnected from mains power and sufficiently cooled.
- We recommend performing both initial and subsequent regular machine inspections. It is very important that the lid is well closed and not damaged. No curtains may be damaged. Do not attempt to interfere with the construction or adjustment of the component parts in any way.
- Never use the appliance if it is incomplete, damaged, or any part of it has been damaged during use. If the device is damaged, have it repaired by a specialist service.
- Do not use the non-original and incomplete parts of the appliance - the kettle and the appropriate base (power stand) with the power cord and the plug.

There is a risk of electric shock!

There is a risk of serious injury or life threatening! There is a risk of damage to equipment or other property damage!

## **Location/Installation**

- Use the device only in places where it is not overturned.
- Only place the appliance on straight, firm and stable pads - kitchen work desks and furniture parts, suitable for the location of kitchen utensils.
- Always make sure that the place you want to place the device has enough space, stability, mechanical strength and adequate lighting.

### **Warning!**

Do not dispose of the device:

- unstable tables or inappropriate parts of furniture,
- on an uneven and dirty surface,
- on the sealing edge of tables or parts of furniture,
- in the vicinity of containers with water or other liquids.

Do not expose the device to:

- direct sunlight, sources and equipment producing heat,
- vibration and mechanical stress,
- excessive dust,
- insect,
- aggressive effects of the external environment.

- Do not cover the appliance at all. Do not place any objects on the device. Do not insert or allow the foreign bodies to enter the holes of the device covers.
- Do not cover the openings of the airflow covers. Air ventilation ensures reliable and safe operation of the device. There is a risk of very serious injury!  
There is a danger of fire!

### **Warning!**

- Place the device in a place where children can not reach freely. Work desks and furniture for placing should not be lower than 85 cm.
- Prevent children from playing with the device. The device may overturn and cause very serious injury. Mechanical damage (breakage or breakage of parts and covers) of the device can cause serious injury. There is a risk of very serious injury!  
There is a risk of damage to equipment or other property damage!
- Do not place or use the appliance in the vicinity of bathtubs, showers, washbasins or other containers containing water, including the pool. If the appliance falls into the water, do not remove it! First, pull out the power cord plug from the power outlet and then the device choose from water. In such cases, take the device for inspection to a specialist service to check that it is safe and working properly. There is a risk of electric shock! There is a risk of electrical short circuit!

## **Operation/Supervision**

### **Warning!**

- When heating water, a high degree of water heating (to boil) and hot steam generation occurs. Be very careful at the time of operation.  
Vapor water and steam are very hot!  
There is a risk of very serious injury!  
There is a risk of burns from hot water and hot steam!
- Always keep your device under control during use and operation!
- This device is not intended to be operated via a programmer, external time switch or remote control because there is a risk of fire if the device is covered or incorrectly positioned.
- Do not use the device in potentially explosive environments in the presence of flammable substances and their vapors, mist or dust, and under atmospheric conditions, where the combustion air is easily propagated by air.  
There is a risk of explosion and / or fire!

### ***Caution!***

- Do not use the appliance to heat or cook other types of liquids!  
There is a risk of damage to the device!
- Make sure that the main switch is set to „OFF“ in the „0“ position before each connection to the mains.
- Do not switch the device on or off by plugging in or pulling out the plug of the power cord from the wall socket.
- Always connect the appliance to mains power supply for normal use, then turn on the main power switch.
- When you have finished using the appliance, turn off the main switch and then pull out the power cord plug from the mains socket.
- Do not use the device if the main power switch does not work on the device.
- Interruption of operation of the device can be done by turning the main switch off manually at any time during operation (during cooking / heating of water).
- Do not remove the kettle from the base until it has stopped automatically.
- The device is under dangerous voltage when the power supply is connected.  
There is a risk of electric shock!

### ***Caution!***

- Do not turn on the appliance unless the kettle is filled with water.
- Never fill the kettle when it is placed on the base (stand) and connected to a wall outlet.
- Before turning on the appliance, make sure that the water level in the kettle corresponds to the specified cooking / heating volume range from MIN to MAX.
- If the kettle is overflowing, hot water may be leaking or splashing.  
Excess water can burn electrical parts of the device.  
There is a risk of electrical short circuit!  
There is a risk of electric shock!
- Make sure the lid of the kettle is properly closed before switching on the appliance.

- Do not open the lid until the water is removed and the appliance is not automatically turned off.
- Do not open lid when spilling residual water after cooking/heating.
- Do not get close (close to your hands, face ...) near the sink spout while the appliance is operating.

### ***Warning!***

- The device contains parts and surfaces which are greatly heated during operation - surface areas, the lid and the metal bottom of the cooking vessel.
- Do not touch hot surfaces and parts! Only use a handle designed to handle the device at the time of operation!
- Open the lid of the machine while it is running (after cooking) to open slowly and carefully. When suddenly opening, hot steam escapes from the working area of the appliance.
- Never pull inside the kettle unless the device is cold enough.
- Do not touch the metal bottom of the kettle until it is completely cold.  
There is a risk of burning from the hot surface! There is a risk of burns (hotplates) from hot water and hot steam!

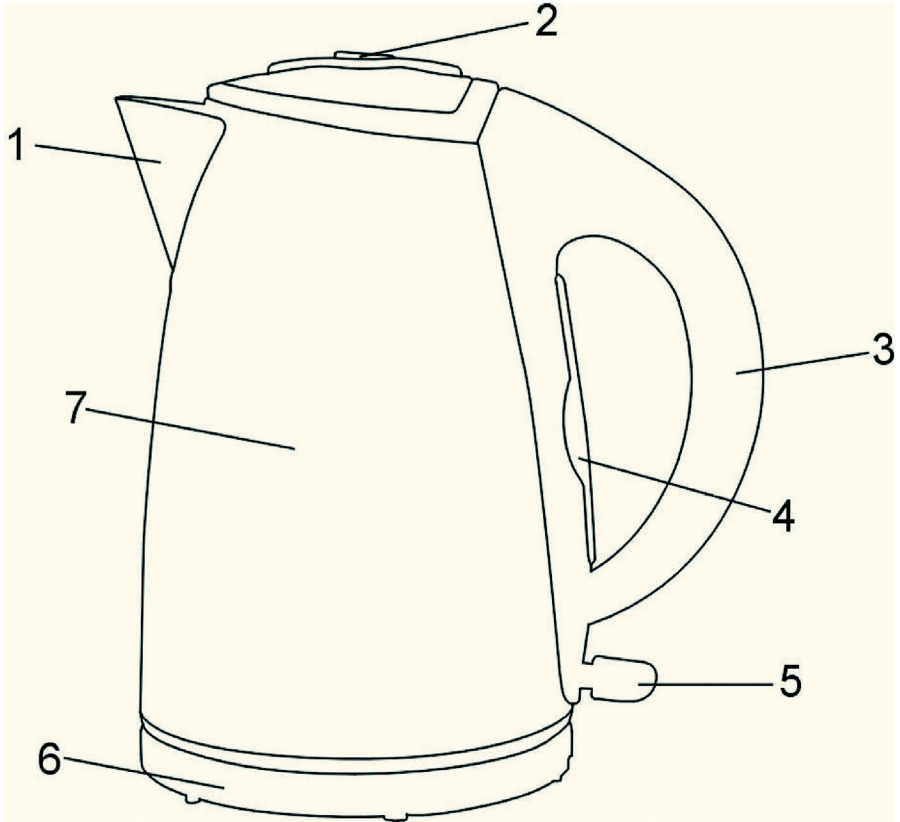
### ***Caution!***

- After turning off the machine, the surfaces remain warm for a certain amount of time. Before any further handling of the device – cleaning and storage, always wait until the device cools down completely.
- The electrical socket and power cord must remain easily accessible for safe disconnection of the appliance from the power supply.
- Never leave the appliance unattended and freely accessible with a free-hanging power cord. Children, inappropriate persons or animals could download the device for the power cord. Store the device with wrapped cord around the base.  
There is a risk of serious injury!

- Never overload the equipment beyond the limits specified by the technical specifications!
- Observe the operating mode of the machine in accordance with the operating instructions.
- Do not expose the kettle to heat shock - do not add ice water to the hot kettle.
- Fill the kettle if it is cold enough and only with drinking, clean and cold water.
- If you notice any unusual occurrences (sounds, odors, smoke, etc.) during use of the device, switch off the device immediately and disconnect it from the power supply. Have the appliance checked by a specialist workshop.
- Keep the body of the kettle and the base (power stand) with the power cord clean.
- Do not remove the water filter while the kettle is running hot water. When taking the water filter, be very careful.
- Regularly inspect and clean the interior of the kettle - dispose of calcium deposits. Follow the instructions and procedure in „Removing calcium deposits“.
- Incorrect cleaning adversely affects the function and life of the device.
- If any safety component / component (mechanical, electrical) is part of the device, never disable this part / component! If the safety component / part is damaged or not working, do not use the appliance!
- Never underestimate the potential hazards and take extreme caution !!!

# Operation

## Description of parts and controls:



- 1 sink
- 2 cover
- 3 handle
- 4 scale of water level
- 5 ON/OFF switch (I/O) with automatic shut-off when boiling and with light idler
- 6 pedestal/electrical base (360° rotation)
- 7 body of a kettle

## Preparation and operation

Unpack the unit, make sure it is not damaged and remove any packaging material from it.

### Requirements for connection to the grid

- Before connecting the appliance to the power supply, make sure that the mains voltage in the electrical network corresponds to the data shown on the nameplate located on the bottom of the electrical base and the kettle.
- The appliance must only be connected to a 230 V ~, 50 Hz power socket.

Before using the boiled water for the first time, you must at least 3 times boil the water, pour it and thoroughly rinse the kettle. Pour the water over the maximum level inside the kettle.

- 1 Unscrew the power cord from the base unit. Place the device on a flat, stable surface.
- 2 Fill the kettle with a suitable amount of water. Please follow the MAX pointer. Close lid, otherwise the kettle does not automatically shut off after water tapping and water can drain from the kettle.  
**Warning !:** The water level must be at most MAX. (1.7 l) on the dispenser. Too little water can cause damage to the heater and too much water can cause the water to drain.
- 3 Connect the base to the mains. Put the kettle on the power base. Put the kettle in such a way that it is directed from you. After putting the kettle on the base, the kettle is ready for operation.
- 4 Switch the kettle on by switching the (5) 0/I switch to I (On).

### WARNING!

Never fill the kettle when it is placed on the pedestal. If the kettle is full, the boiling water may splash out. Do not run the kettle. Improper use of the kettle can adversely affect its service life. If you accidentally switch on the kettle without water, the thermostat switches off automatically when it reaches a certain temperature. switch (5) switches to position 0 (off) and the indicator light goes out. The kettle can be restarted after a few minutes as soon as the anti-corrosion floor cools down.

## Switching off

To switch off the kettle before boiling, switch the switch **(5)** to 0 (Off). Disconnect the appliance from the power supply when it is finished. Do not open the cover when splashing.

## PROTECTION FROM HEATING WITHOUT WATER

If you accidentally turn on the kettle when it is empty, the power-on protection without water turns it off automatically.

Allow the kettle to cool down for a short time.

After a short break, you can use the kettle in the normal way.

### NOTIFICATIONS!

- Never use the appliance empty. If this happened accidentally, the thermal fuse switches the device off automatically. Disconnect the appliance from the mains and allow it to cool completely.
- Do not touch the metal bottom during operation. There may be burns.

## Care, maintenance and cleaning

- 1 Before cleaning, disconnect the appliance from the mains and allow it to cool down completely.
- 2 Do not immerse the mains cord, kettle or base into water.
- 3 Do not use solvents or harsh detergents to make the surface smooth and glossy. They could damage the glazed surface of the kettle.

The outer surface of the kettle can be wiped with a damp cloth, then polished with a soft and dry cloth.

### WARNING!

**THE KETTLE, THE POWER SUPPLY, THE NETWORK CABLE OR ITS PENDANT DO NOT IMMERSE IN THE WATER!**

- 4 Regular cleaning is required from the deposition of the stones. The interval of such cleaning depends on the water hardness in your area and on the frequency of use of the kettle



- 5 For easier storage, the power cord can be clamped around the base.  
Before storing the kettle, ensure it is turned off, clean and dry. Ensure that the lid is securely seated in the closed position. Wipe the network cord around the bracket at the bottom of the stand. Place the kettle vertically on the base.  
Do not remove any objects on the lid.
- 6 Do not disassemble! Repair your authorized service.

## **Removal of lime salt**

Remove the stones in the interior of the kettle regularly according to the frequency of use of the kettle. When using the kettle regularly (3 to 5 times a day) we recommend removing the stones:

- once a month in areas with hard and very hard water;
- 1 to 2 to 3 months in areas with soft and medium hard water.

For cleaning, use a diluted vinegar or lime acid remover. Remove the lime salt and use only according to the manufacturer's instructions.

Mineral deposits can cause unwanted staining of the interior of the kettle and watermark after a certain time. Remove these deposits with a special mineral disposal agent available in most supermarkets or department stores.

### **An alternative procedure**

- 1 Fill the kettle with 2/3 of a solution of one part of vinegar and two parts of water, bring the solution to boil and leave to stand for the next day.
- 2 Empty the kettle, fill with clean water, boil water and then pour. Repeat this procedure until the kettle is completely clean and ready for use.

## Technical specifications

<b>Power supply:</b>	230 V~ 50 Hz
<b>Power consumption:</b>	2 000 W
<b>Capacity:</b>	1,7 l
<b>Dimensions (W x H x D):</b>	210 x 250 x 156 mm
<b>Weight:</b>	0,94 kg

**Producer:**

ORAVA retail 1, a.s.  
Seberíniho 2  
821 03 Bratislava  
Slovenská republika

**Importer:**

ORAVA retail 1, a.s.  
Seberíniho 2  
821 03 Bratislava  
Slovenská republika

ORAVA distribution CZ, s.r.o.  
Ostravská 494  
739 25 Sviadnov  
Česká republika

**INSTRUCTIONS AND INFORMATION REGARDING THE DISPOSAL OF USED PACKAGING**

Dispose of used packaging material at a municipal waste disposal site.

**DISPOSAL OF USED ELECTRICAL AND ELECTRONIC EQUIPMENT**

This symbol on the products or in the accompanying documents means that used electrical and electronic products should not be mixed with general household waste. For proper disposal, recovery and recycling, please return these products to designated collection points. Alternatively, in some countries of the European Union or other European countries, you may return your products to your local retailer when purchasing an equivalent new product. By ensuring this product is disposed of correctly, you will help prevent potential negative consequences for the environment natural resources and help prevent potential negative effects on environment and human health, which could be the consequences of improper disposal waste. Contact your local authority or nearest office for more details collection point. Improper disposal of this type of waste may result in penalties in accordance with national regulations.

**For business entities in the countries of the European Union**

If you wish to discard electrical and electronic equipment, please request the necessary information from your seller or supplier.

**Disposal in other countries outside the European Union**

This symbol is valid in the European Union. If you wish to discard this product, please request obtain the necessary information on the correct method of disposal from the local authorities or from the your supplier.



This product complies with all the essential requirements of the EU directives that apply to it.